



2

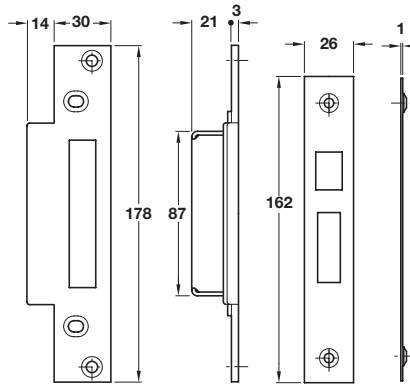
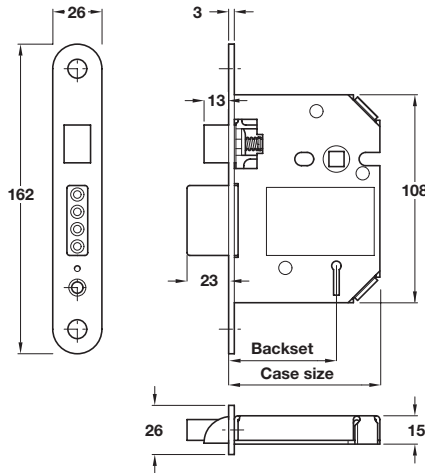


A 'Fortress' security 5 lever mortice sashlock

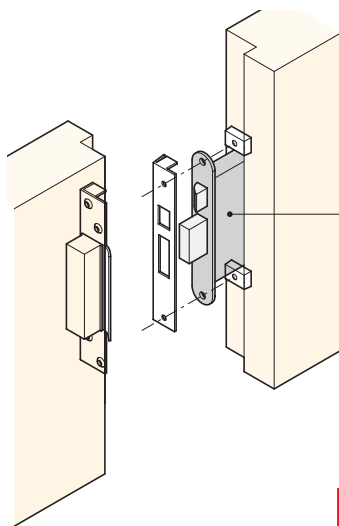
- **Operation:** Latchbolt operated by lever handles. Deadbolt operated by key
- **Case:** Hardened steel, epoxy powder coated, 15 mm wide
- **Forend:** Square, 2 piece. Brass or steel
- **Strike plate:** Square box striker. Steel
- **Latchbolt:** Brass plated. Reversible pull and twist
- **Deadbolt:** Brass plated, with 4 no. hardened steel rollers. **23 mm** throw
- **Follower:** 8 mm zinc. For use with sprung furniture
- **Differs:** 1,000 differs
- **Keys:** 2 keys included
- Holed for bolt through furniture at **38 mm** centres
- **44 or 57 mm** backset
- Fixing screws included
- For lever handles and escutcheons refer to **Section 1**

| Backset 44 mm, case size 64 mm | |
|--------------------------------|-----------------|
| Finish | Keyed to differ |
| Polished brass | 911.02.316 |
| Satin nickel | 911.02.317 |
| Backset 57 mm, case size 76 mm | |
| Finish | Keyed to differ |
| Polished brass | 911.02.318 |
| Satin nickel | 911.02.319 |

Order qty: 1 pc



Rebate sets for these locks are shown below



Please note:
Mortice lock not included

Item B.
Catalogue shows 15 mm
Correct dimension is 15/28 mm

Item B.
Text added

B 'Fortress' security sashlock rebate set

- **To suit:** Mortice sashlock shown above
- 13 mm and 25 mm size available
- Fixing screws included
- Polished brass version:- strike plate is brown powder coated
- Steel

| Finish | 13 mm | 25 mm |
|----------------|------------|------------|
| Polished brass | 911.02.320 | 911.02.322 |
| Satin nickel | 911.02.321 | 911.02.323 |

Order qty: 1 pc

