



Standard, Passage and Holdback versions - front

Key override version - front



All versions - back

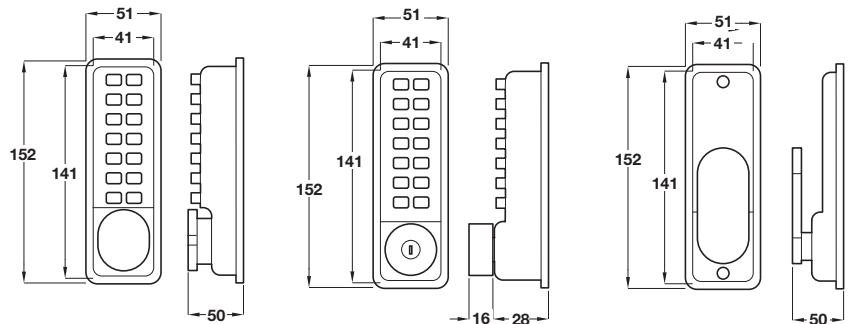
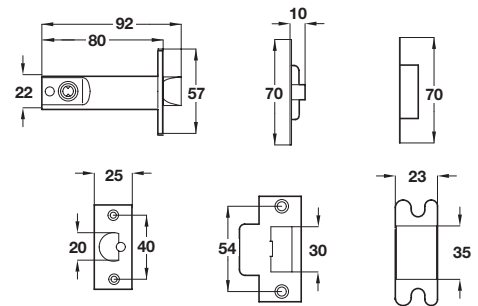
Discontinued ●
Discontinued when stock = 0 +

A Economy mechanical digital lock

- Knob operated
- For internal and external applications
- For doors 35-65 mm thick
- With 60 mm backset deadlocking tubular latch
- Single user code of 4-10 digits
- Number of combinations: 40,000
- Non handed, suitable for left and right hand
- Suitable for rebated doors (rebate must be ordered separately)
- Four functions - standard, passage, holdback and key override
- Zinc alloy

Finish	Function	Cat. No.
Satin chrome	Standard	912.06.224
Polished brass	Standard	912.06.228
Satin chrome	Passage	912.06.234
Polished brass	Passage	912.06.238
Satin chrome	Holdback	+ 912.06.244
Polished brass	Holdback	● 912.06.248
Satin chrome	Key override	912.06.254
Polished brass	Key override	912.06.258

Order qty: 1 set



Holdback version - Front

Key override version - Front

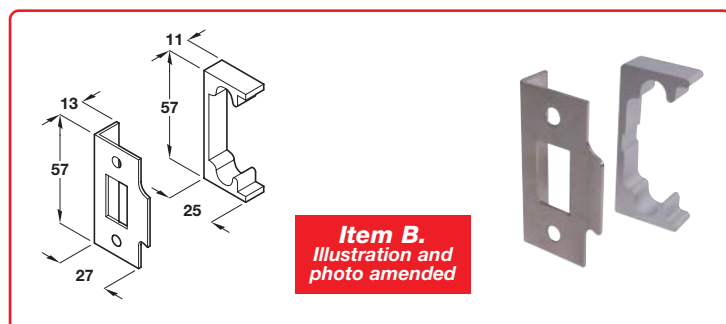
All versions - Back

B Rebate set

- To suit lock A above and locks A and B on page 30
- 13 mm only

Finish	Cat. No.
Satin chrome	912.02.056

Order qty: 1 set



Item B.
Illustration and photo amended

09.03.10/2*

TCH-AI 2008, HUK. Dimensional data not binding. We reserve the right to alter specifications without notice.