

2



Shaped lever handles

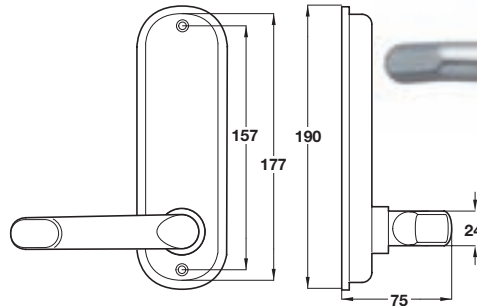


A Economy mechanical digital lock

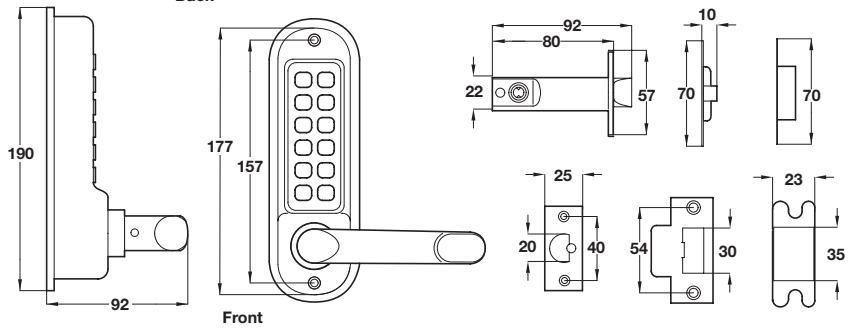
- Lever handle operated
- For internal and external applications
- For doors 35-65 mm thick
- With 60 mm backset deadlocking tubular latch
- Single user code of 4-10 digits
- Number of combinations: 40,000
- Non handed, site handed for left and right hand applications
- Suitable for rebated doors (rebate must be ordered separately, shown on page 59)
- Brass

Finish	Cat. No.
Satin chrome	912.06.204
Polished brass	912.06.208

Order qty: 1 set



Back



Front

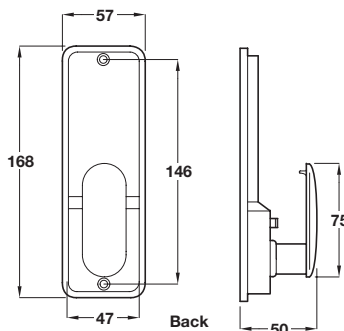


B Easycode mechanical digital lock

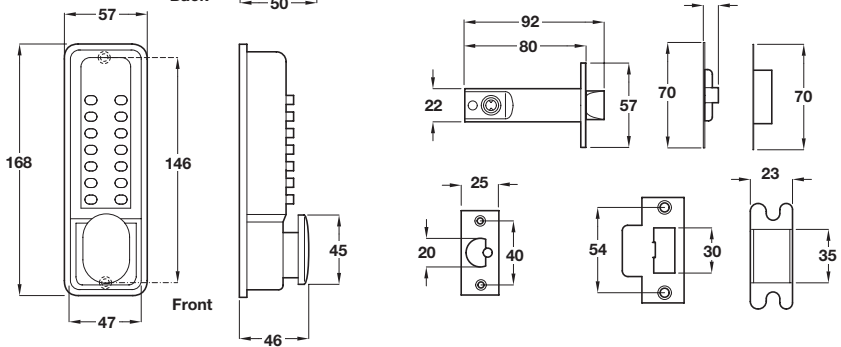
- Knob operated
- For internal and external applications
- For doors 35-65 mm thick
- Single user code of 4-10 digits
- Number of combinations: 40,000
- Easy code changing does not require the removal of pins or the backplates
- With 60 mm backset deadlocking tubular latch
- Non handed, suitable for left and right hand
- Suitable for rebated doors (rebate must be ordered separately, shown on page 59)
- Brass

Finish	Cat. No.
Satin chrome	912.06.214
Polished brass	912.06.218

Order qty: 1 set



Back



Front



TCH-A1 2008, HUK. Dimensional data not binding. We reserve the right to alter specifications without notice.