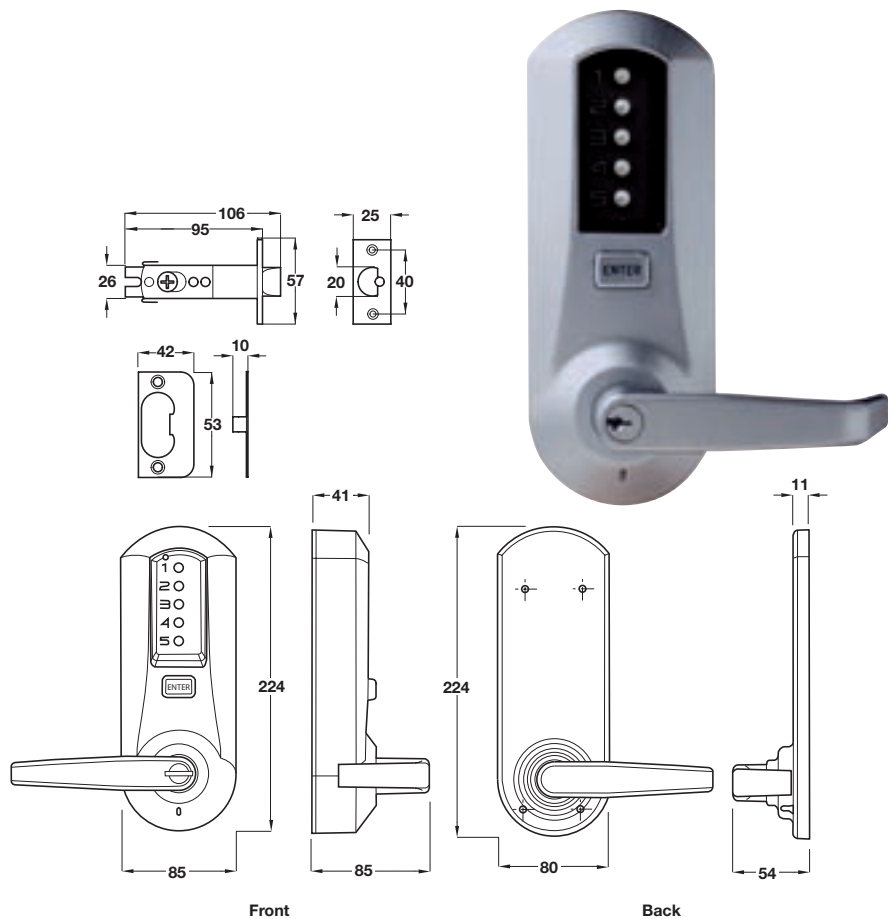


A Simplex 5000 mechanical digital lock

- For internal and external applications
- Heavy duty
- For doors 35-57 mm thick
- Minimum stile width: 111 mm
- Standard 70 mm backset tubular latch included
- 16 mm projection mortice deadlatch
- **Operation:**
Outside - by lever on correct sequence of code, or by key
Inside - by lever, free exit at all times
- Number of codes: 1
Number of combinations: 1000+
Code length: 1 to 5 digits
Code change by authorised personnel only
Fast code change whilst unit fitted to door
- No holdback
- Non handed
- Reversible latch
- Protective clutch mechanism
- Suitable for rebated doors (rebate must be ordered separately, shown on page 56)
- No power supply or batteries required
- Virtually maintenance free
- Diecast zinc body

Finish	Cat. No.
Satin chrome	912.02.055

Order qty: 1 set

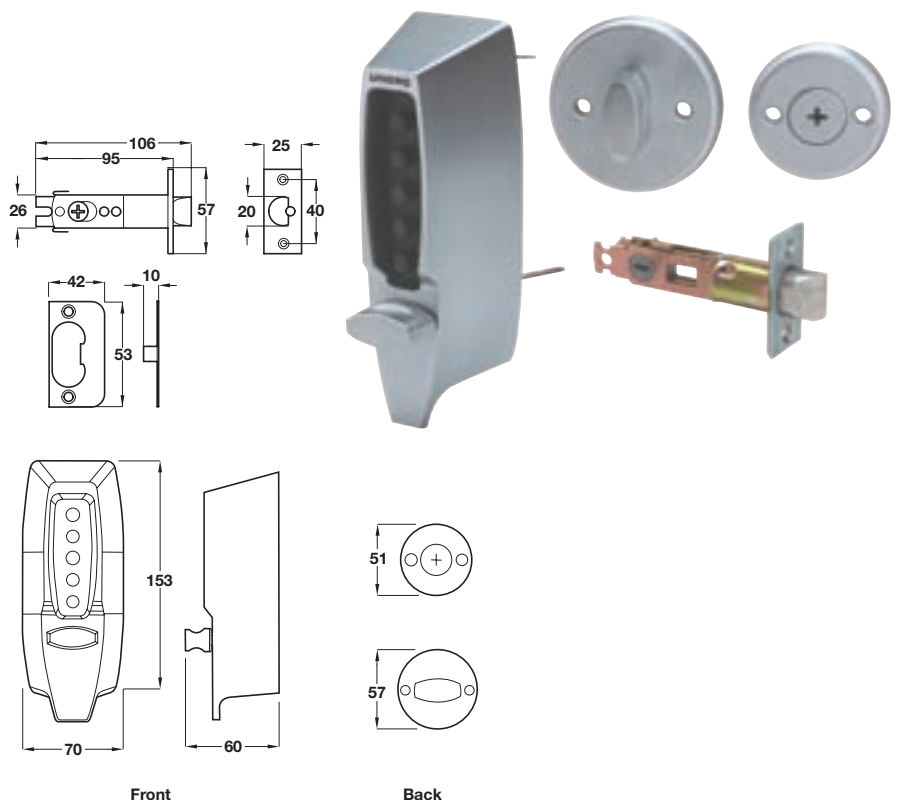


B Mechanical digital lock, Unican 7000

- Medium duty
- 13 mm mortice deadlatch
- **Operation:**
Outside - by thumbturn on entry of correct sequence of code
Inside - by thumbturn, free exit
- Number of codes 1
- Combinations 1000 +
- Code length 1 to 5
- No holdback
- Non handed
- Reversible latch
- Protective clutch mechanism
- Fast code change whilst unit fitted to door
- Suitable for rebated doors. (Rebate must be ordered separately, shown on page 56)
- Suits doors 35-57 mm thick
- No power supply or batteries required
- Virtually maintenance free
- Internal or external applications
- Minimum stile width 111 mm
- Supplied with standard 70 mm backset tubular latch
- Diecast zinc body

Finish	Cat. No.
Satin chrome	912.02.023

Order qty: 1 set



TCH-A1 2008, HUK. Dimensional data not binding. We reserve the right to alter specifications without notice.