

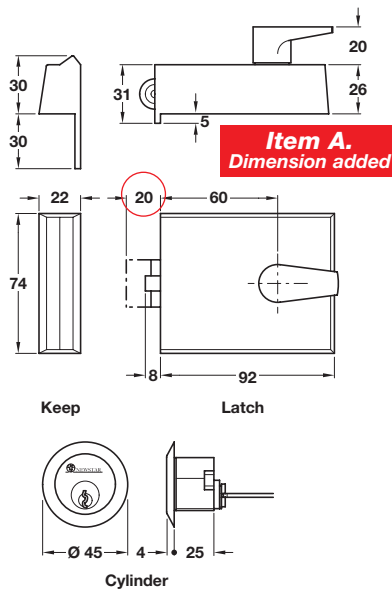


A Rollerbolt cylinder rim nightlatch

- Operation:** Key from outside; first 1/4 turn to roller position, second 1/4 turn retracts roller. Inside lever in vertical position (bolt thrown) first 1/4 turn to roller position, second 1/4 turn retracts roller
- Rollerbolt:** Operates with a simple push/pull action
- Case:** Standard only
- Keys:** 3 no. included
- Fixing screws and instructions included

Case/cylinder finish	Cat. No.
Satin chrome/satin chrome	916.90.234
Polished chrome/polished chrome	916.90.232
Polished brass/polished brass	916.90.238

Order qty: 1 pc



2

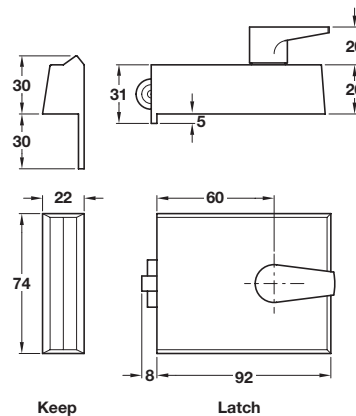


B Roller bolt nightlatch without cylinder

- Operation:** Cylinder not included. Order separately
- Rollerbolt:** Operates with a simple push/pull action
- Case:** Standard only
- Keys:** 3 no. included
- Fixing screws and instructions included
- Order rim cylinder separately, shown on pages 42-44, 47 or 49

Finish	Cat. No.
Satin chrome	916.90.244
Polished chrome	916.90.242
Polished brass	916.90.248

Order qty: 1 pc



TCH-AI 2008, HUK. Dimensional data not binding. We reserve the right to alter specifications without notice.

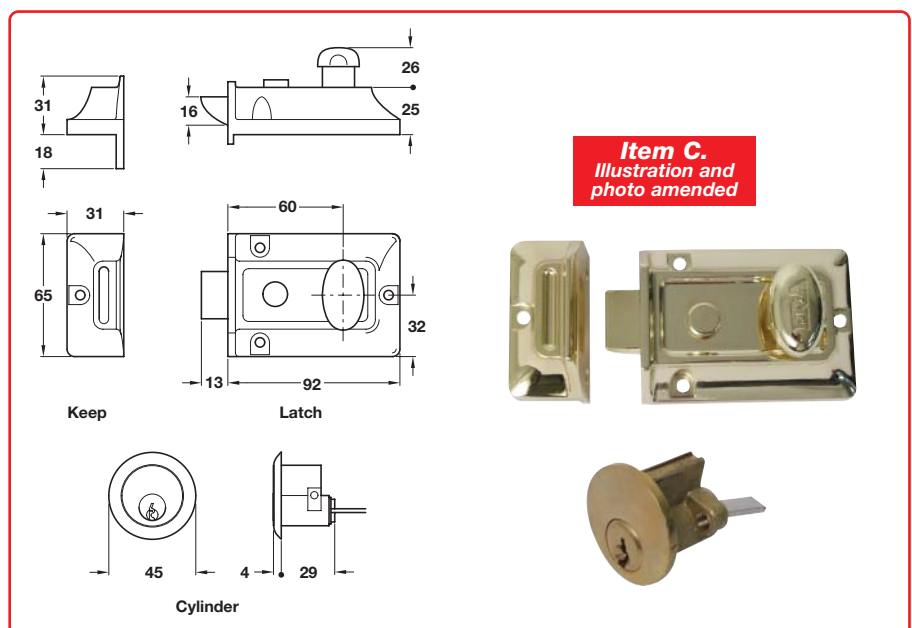


C Traditional rim night latch

- Operation:** Key from outside, knob from inside
- Case:** Standard only
- Keys:** 2 no. included
- Fixing screws and instructions included
- Die cast zinc alloy and brass

Case/cylinder finish	Cat. No.
Polished brass/polished brass	916.54.088
Green/polished brass	916.54.080

Order qty: 1 pc



23.06.09/2*