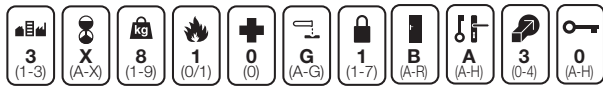


Mortice Cylinder Locks and Latches

Calibre Continental Style

BS EN 12209

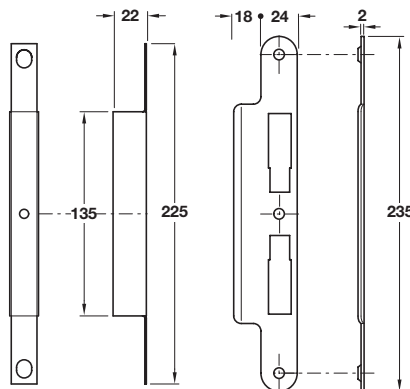
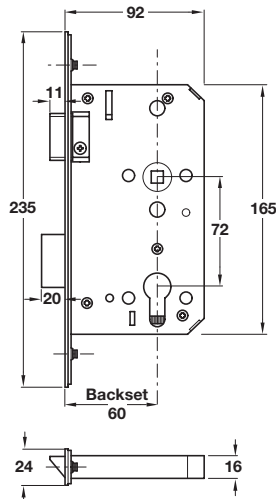


A Mortice cylinder sashlock case

- Operation:** Latchbolt operated by lever handles. Deadbolt operated by cylinder
- Case:** Galvanized steel, 16 mm wide
- Forend:** Radius, 2 piece. Stainless steel or brass.
- Strike plate:** Radius. Box included. Stainless steel or brass
- Latchbolt:** Solid brass, bright zinc plated. Easily reversible
- Deadbolt:** Solid brass, bright zinc plated. 20 mm throw
- Follower:** 8 mm brass. Hold-tite spindle spring. For use with **unsprung** furniture
- Holed for bolt through furniture at **38 mm** centres
- Only requires a lever depression of approx **25°** to fully retract latchbolt
- 60 mm** backset
- Certifire certificate no. CF406, rated for 30 mins
- Fixing screws included
- 80 and 100 mm backset versions available to order, subject to quantity
- Order cylinders separately;** see pages 40-50
- For lever handles and escutcheons refer to **Section 1**

Finish	Cat. No.
Satin stainless steel	911.01.065
Polished brass	911.01.066

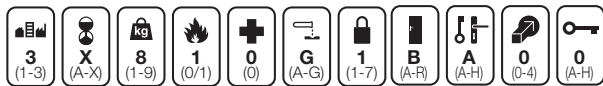
Order qty: 1 pc



Rebate sets for these locks are shown on page 8

Refer to pages 2-3 for information on BS EN 12209, lock grades and classification

BS EN 12209

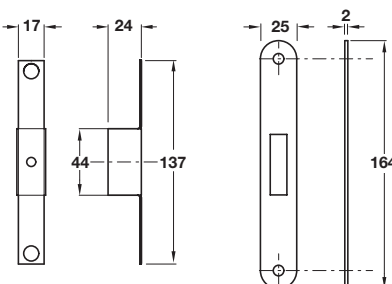
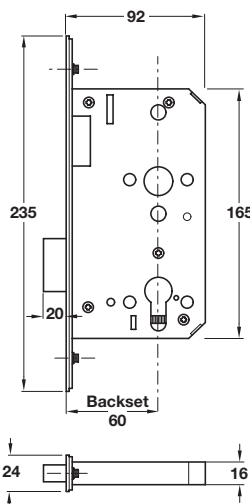


B Mortice cylinder deadlock case

- Operation:** Deadbolt operated by cylinder
- Case:** Galvanized steel, 16 mm wide
- Forend:** Radius, 2 piece. Stainless steel or brass.
- Strike plate:** Radius. Box included. Stainless steel or brass
- Deadbolt:** Solid brass, bright zinc plated. 20 mm throw
- Holed for bolt through furniture at **38 mm** centres
- 60 mm** backset
- Certifire certificate no. CF406, rated for 30 mins
- Fixing screws included
- 80 and 100 mm backset versions available to order, subject to quantity
- Order cylinders separately;** see pages 40-50
- For escutcheons refer to **Section 1**

Finish	Cat. No.
Satin stainless steel	911.22.288
Polished brass	911.22.289

Order qty: 1 pc



Rebate sets for these locks are shown on page 8

Refer to pages 2-3 for information on BS EN 12209, lock grades and classification