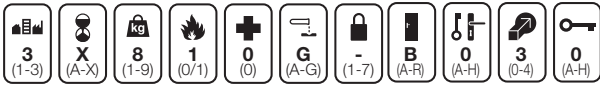


BS EN 12209

Refer to pages 2-3 for information on BS EN 12209, lock grades and classification



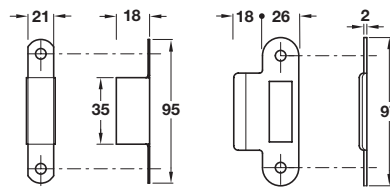
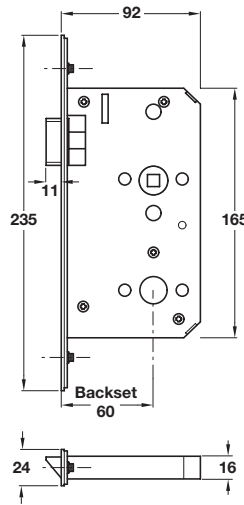
2

A Mortice latch

- Operation:** Latchbolt operated by lever handles
- Case:** Galvanized steel, 16 mm wide
- Forend:** Radius, 2 piece. Stainless steel or brass
- Strike plate:** Radius. Box included. Stainless steel or brass
- Latchbolt:** Solid brass, bright zinc plated. Easily reversible
- Follower:** 8 mm brass. Hold-tite spindle spring. For use with **unsprung** furniture
- Holed for bolt through furniture at **38 mm** centres
- Only requires a lever depression of approx. **25°** to fully retract latchbolt
- 60 mm** backset
- Certifire certificate no. CF406, rated for 30 mins
- Fixing screws included
- 80 and 100 mm backset versions available to order, subject to quantity
- For lever handles refer to **Section 1**

Finish	Cat. No.
Satin stainless steel	911.23.227
Polished brass	911.23.228

Order qty: 1 pc



Rebate sets for these locks are shown on page 8

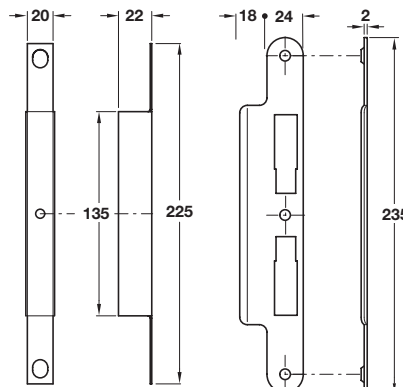
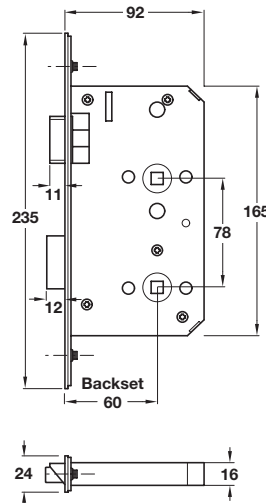


B Mortice bathroom lock

- Operation:** Latchbolt operated by lever handles. Deadbolt operated by turn/emergency release
- Case:** Galvanized steel, 16 mm wide
- Forend:** Radius, 2 piece. Stainless steel or brass
- Strike plate:** Radius. Box included. Stainless steel or brass
- Latchbolt:** Solid brass, bright zinc plated. Easily reversible
- Deadbolt:** Solid brass, bright zinc plated. **12 mm** throw
- Follower:** 8 mm brass. Hold-tite sprindle spring. For use with **unsprung** furniture
- 5-8 mm** adaptor included for deadbolt follower
- Holed for bolt through furniture at **38 mm** centres
- Only requires a lever depression of approx. **25°** to fully retract latchbolt
- 60 mm** backset
- Fixing screws included
- 80 and 100 mm backset versions available to order, subject to quantity
- For lever handles and turn and release sets refer to **Section 1**

Finish	Cat. No.
Satin stainless steel	911.01.160
Polished brass	911.01.161

Order qty: 1 pc



Rebate sets for these locks are shown on page 8

TCH-A1 2008, HUK. Dimensional data not binding. We reserve the right to alter specifications without notice.