

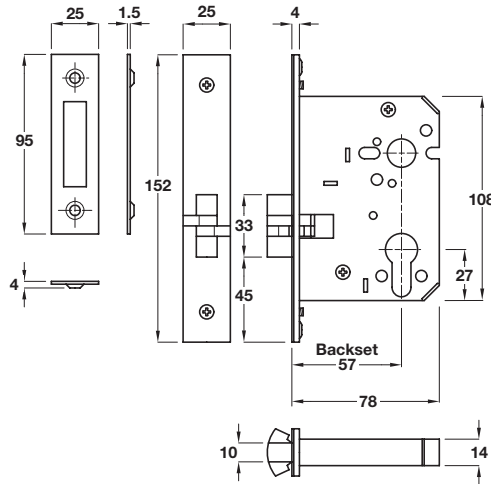


### A Modular mortice cylinder claw bolt lock case

- **Operation:** Claw deadbolt operated by cylinder
- **Case:** Modular black powder coated steel, 14 mm wide
- **Forend:** Square, 2 piece. Stainless steel or brass
- **Strike plate:** Square, flat. Included. Stainless steel or brass
- **Claw bolt:** Brass. 10 mm throw
- Holed for bolt through escutcheons
- 57 mm backset
- Fixing screws included
- **Order cylinders separately;** see pages 40-50

Finish	Cat. No.
Satin stainless steel	911.03.334
Polished brass	911.03.333

Order qty: 1 pc

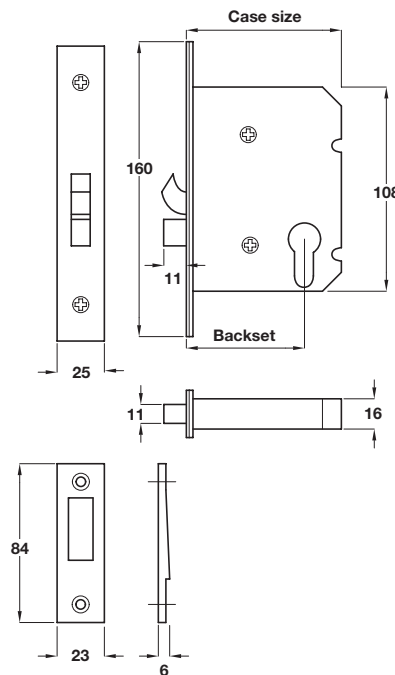


### B Modular mortice cylinder hook bolt lock case

- **Operation:** Bolts operated by cylinder
- **Case:** Modular epoxy powder coated steel, 16 mm wide
- **Forend:** Square, 2 piece. Stainless steel or brass
- **Strike plate:** Square, flat. Included. Stainless steel or brass
- **Hook bolt:** Brass. 11 mm throw
- 45 or 57 mm backset
- Fixing screws included
- **Order cylinders separately;** See pages 40-50
- For escutcheons refer to Section 1

Backset 45 mm, case size 65 mm	
Finish	Cat. No.
Satin stainless steel	911.26.370
Satin brass	911.26.371
Backset 57 mm, case size 78 mm	
Finish	Cat. No.
Satin stainless steel	911.26.372
Satin brass	911.26.373

Order qty: 1 pc



**Important:** The logo shown indicates the type and size of screw required, which must be ordered separately

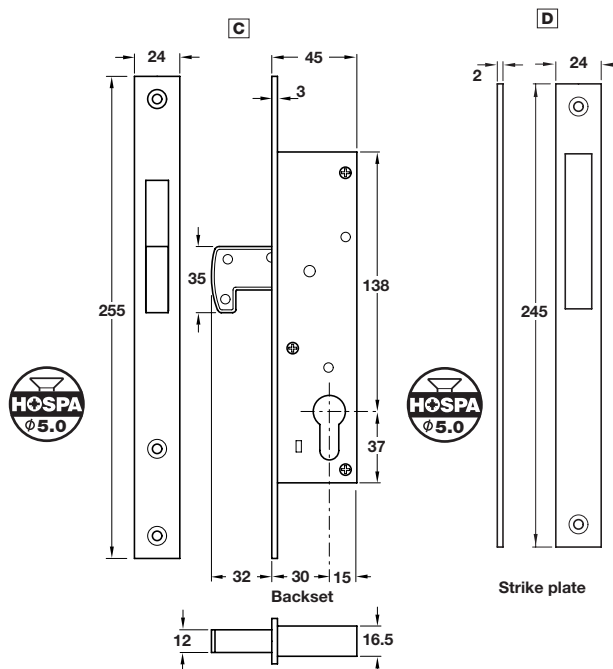


### C Mortice cylinder hookbolt lock case

- For narrow stile doors
- **Operation:** Hookbolt operated by cylinder
- **Case:** Galvanized steel, 16.5 mm wide
- **Forend:** Square, 1 piece. Stainless steel
- **Hookbolt:** Zinc diecast/steel pin, nickel-plated
- Fixing screws are not included
- **Order cylinders separately;** see pages 40-50

Finish	Cat. No.
Satin stainless steel	911.75.111

Order qty: 1 pc



### D Strike plate

- Fixing screws are not included

Finish	Cat. No.
Satin stainless steel	911.76.031

Order qty: 1 pc