

# Mortice Cylinder Locks and Latches

## Multipoint Locking System

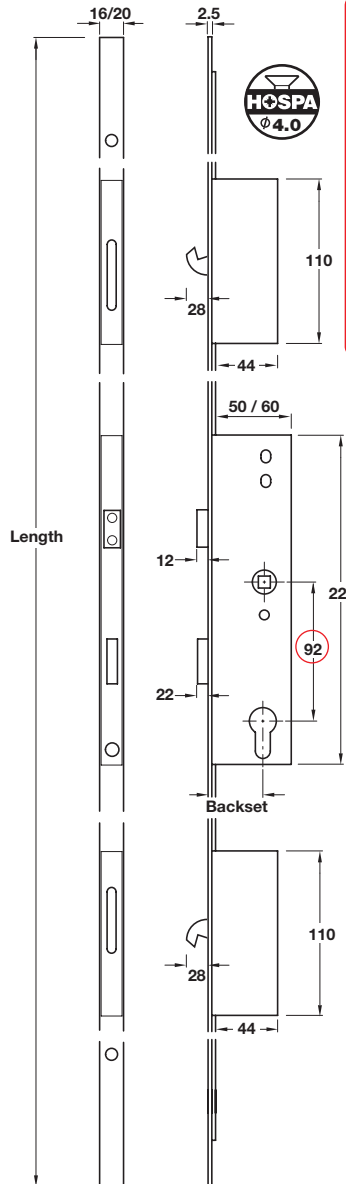
All moving parts should be lightly lubricated using a light non-acidic mineral oil (eg. "3 in 1"), twice per year and surface cleaned with a soft damp cloth. The product may need to be adjusted and fixings tightened to ensure a satisfactory operation.

### A Mortice cylinder 3 point lock

- Operation:** Latchbolt operated by lever handles. Deadbolt and hooks operated by lifting lever and the deadlocking by cylinder
- Cases:** Steel, BZP CR3 passivate, 14.5 mm thick
- Front plate:** Square, 1 piece. Steel, BZP CR3 passivate 2100/2250 mm x 16/20 mm wide
- Keeps:** Not included, must be ordered separately
- Latchbolt:** Brass, satin chrome plated. Reversible
- Deadbolt:** Brass, satin chrome plated. 22 mm throw
- Hookbolts:** Forged brass, satin chrome plated. 28 mm overall throw
- Follower:** 8 mm brass. For use with standard 92 mm **unsprung** lever handles
- Accepts most europrofile cylinders
- Not suitable for rebated doors**
- Designed to meet the requirements of PAS 23 and PAS 24
- Licensed by Secured by Design
- 10 year guarantee
- 35 or 45 mm backset**
- Fixing screws are not included
- Optional shoot bolt engagement for additional security available, shown on page 34, item B
- Order cylinders separately;** see pages 40-50
- Order keeps separately;** shown below
- For lever handles refer to page 35

Backset 35 mm	
Front plate length x width	Cat. No.
2100 x 16 mm	911.50.780
2250 x 16 mm	911.50.781
Backset 45 mm	
Front plate length x width	Cat. No.
2100 x 16 mm	911.50.782
2100 x 20 mm	911.50.783
2250 x 16 mm	911.50.784
2250 x 20 mm	911.50.785

Order qty: 1 pc



Multipoint lock system dimensions			
		Length with shoot bolts added	
		Minimum	Maximum
Backset 35 mm			
2250 x 16 mm	911.50.805	1818 mm	2126 mm
2100 x 16 mm	911.50.780	2022 mm	2248 mm
2250 x 16 mm	911.50.781	2055 mm	2294 mm
Backset 45 mm			
2250 x 16 mm	911.50.806	1818 mm	2126 mm
2100 x 16 mm	911.50.782	2022 mm	2248 mm
2250 x 16 mm	911.50.784	2055 mm	2294 mm
2100 x 20 mm	911.50.783	Will not accept shoot bolts	
2250 x 20 mm	911.50.785	Will not accept shoot bolts	

**Item A.**  
Dimensions table added

Secured by Design



Police Preferred Specification

**Item A.**  
Dimension added



2

**Discontinued** ●

**Discontinued when stock = 0** +

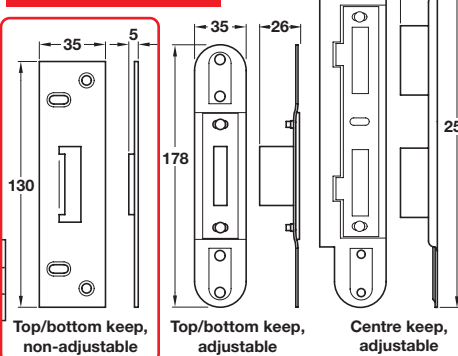
### B Keep

- To suit timber and composite doors
- To suit centre and hook/linear bolts
- For one multipoint lock order 1 keep for centre bolt and 2 keeps for hook or linear bolts
- \*Adjustable version with pressure seal  $\pm 2$  mm
- Fixing screws are not included
- Steel, BZP CR3 passivate

Type	Adjustable*	Non-adjustable
<b>Top/bottom</b>	911.50.792	911.50.793
<b>Centre</b>	911.50.794	+ 911.50.795

Order qty: 1 pc

**Item B.**  
Photo and illustration of 911.50.793 added



Top/bottom keep, non-adjustable

Top/bottom keep, adjustable

Centre keep, adjustable

**HOSPA**  
Ø4.0

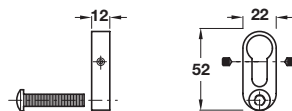


### C Cylinder guard

- Designed for use with europrofile cylinders and multipoint locks
- Prevents external removal of door cylinder
- Suits most europrofile cylinders
- Tested to meet requirements of PAS 023/024
- 10 year performance guarantee
- Fixed from inside, fixings included
- Extruded aluminium guard with HT steel bolt

Cat. No.	911.50.796
----------	------------

Order qty: 1 pc



25.09.09/4\*