

2

Please note: There are no rebate sets available for this lock, as it is primarily intended for metal door application



A Mortice cylinder sashlock case, narrow stile, 20 to 35 mm backset

- **Operation:** Latchbolt operated by lever handles. Deadbolt operated by cylinder
- **Case:** Epoxy polyester powder coated steel, 14 mm wide
- **Forend:** Square, 1 piece. Stainless steel
- **Strike plate:** Not included, order separately
- **Latchbolt:** Brass. Reversible
- **Deadbolt:** Laminated steel. 14 mm throw
- **Follower:** 8 mm brass. For use with **unsprung** furniture
- **20, 25, 30 or 35 mm** backset
- Black plastic escutcheons included
- **Order strike plate separately, see item B**
- Fixing screws are not included and must be ordered separately
- **Order cylinders separately;** see pages 40-50
- For lever handles refer to **Section 1**, but please ensure lever handles used will fit door stile width

Backset 20 mm, case size 36 mm	
Satin stainless steel	911.12.025
Backset 25 mm, case size 41 mm	
Satin stainless steel	911.12.026
Backset 30 mm, case size 46 mm	
Satin stainless steel	911.12.027
Backset 35 mm, case size 51 mm	
Satin stainless steel	911.12.028

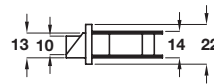
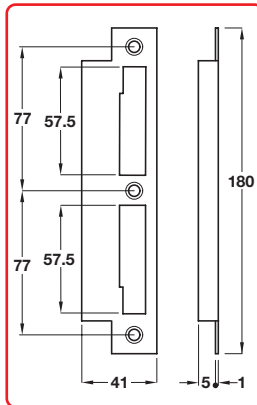
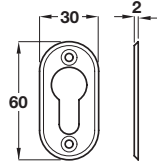
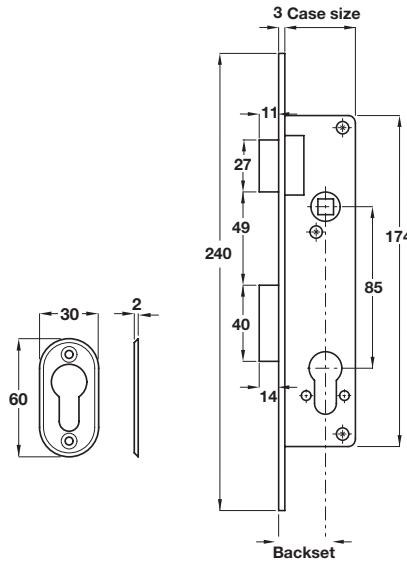
Order qty: 1 pc

B Strike plate for narrow style sash lock

- **To suit:** Narrow style sashlocks only
- Stainless steel

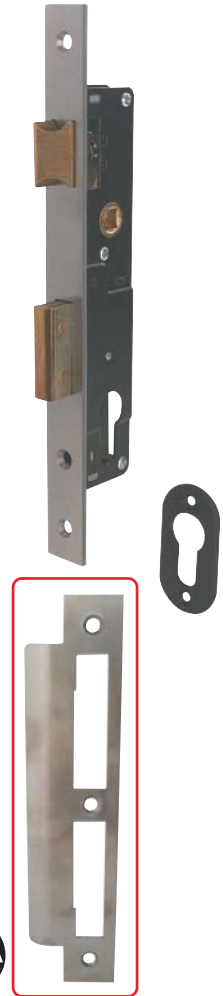
Finish	Cat. No.
Stainless steel	911.39.488

Order qty: 1 pc



Item B.
Illustration and photo amended

Important: The logo shown indicates the type and size of screw required, which must be ordered separately



Please note: There are no rebate sets available for this lock, as it is primarily intended for metal door application



C Mortice cylinder deadlock case, narrow stile, 20 to 35 mm backset

- **Operation:** Deadbolt operated by cylinder
- **Case:** Epoxy polyester powder coated steel, 14 mm wide
- **Forend:** Square, 1 piece. Stainless steel
- **Strike plate:** Not included order separately
- **Deadbolt:** Laminated steel. 14 mm throw
- **20, 25, 30 or 35 mm** backset
- Black plastic escutcheons included
- **Order strike plate separately, see item D**
- Fixing screws are not included and must be ordered separately
- **Order cylinders separately;** see pages 40-50

Backset 20 mm, case size 36 mm	
Satin stainless steel	911.12.029
Backset 25 mm, case size 41 mm	
Satin stainless steel	911.12.030
Backset 30 mm, case size 46 mm	
Satin stainless steel	911.12.031
Backset 35 mm, case size 51 mm	
Satin stainless steel	911.12.032

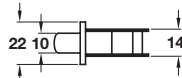
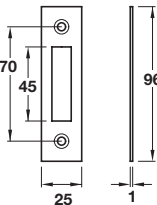
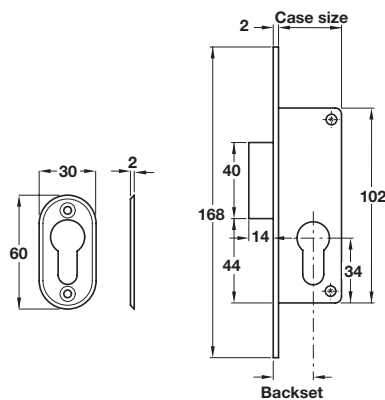
Order qty: 1 pc

D Strike plate for narrow style deadlock

- **Suitability:** Narrow style deadlocks only
- Stainless steel

Finish	Cat. No.
Stainless steel	911.39.489

Order qty: 1 pc



Important: The logo shown indicates the type and size of screw required, which must be ordered separately



TCH-A1 2008, HUK. Dimensional data not binding. We reserve the right to alter specifications without notice.