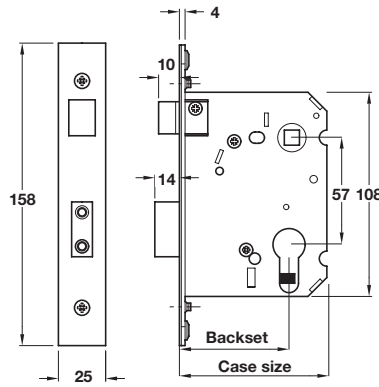
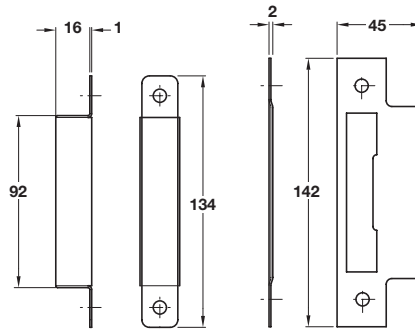
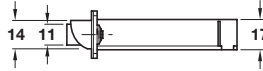


2



A Modular mortice cylinder sashlock case

- **Operation:** Latchbolt operated by lever handles. Deadlock operated by cylinder
- **Case:** Modular epoxy powder coated steel, 17 mm wide
- **Forend:** Square, 2 piece. Stainless steel or brass
- **Strike plate:** Square, flat. Included. Stainless steel or brass
- **Latchbolt:** Brass. Reversible
- **Deadbolt:** Brass. 14 mm throw
- **Follower:** 8 mm. Either **sprung** (standard follower) or **unsprung** (heavy duty follower) furniture
- Holed for bolt through furniture at 38 mm centres
- 45 or 57 mm backset
- Fixing screws included
- **Order cylinders separately;** see pages 40-50
- For lever handles and escutcheons refer to **Section 1**



Follower:	Standard	Heavy duty
Backset 45 mm, case size 63 mm		
Finish	Cat. No.	Cat. No.
Satin stainless steel	911.03.680	911.03.690
Satin brass	911.03.681	911.03.691
Backset 57 mm, case size 76 mm		
Finish	Cat. No.	Cat. No.
Satin stainless steel	911.03.682	911.03.692
Satin brass	911.03.683	911.03.693

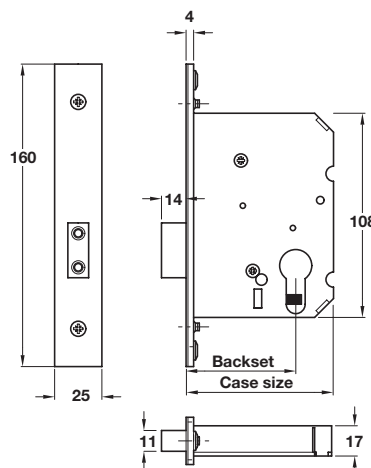
Rebate sets for these locks shown on page 25

Order qty: 1 pc

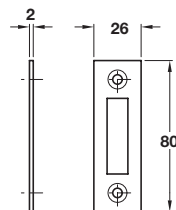


B Modular cylinder deadlock case

- **Operation:** Deadbolt operated by cylinder
- **Case:** Modular epoxy powder coated steel, 17 mm wide
- **Forend:** Square, flat. Included. Stainless steel or brass
- **Deadbolt:** Brass. 14 mm throw
- 45 or 57 mm backset
- Fixing screws included
- **Order cylinders separately;** see pages 40-50
- For escutcheons refer to **Section 1**



Backset 45 mm, case size 63 mm	
Finish	Cat. No.
Satin stainless steel	911.22.600
Satin brass	911.22.601
Backset 57 mm, case size 76 mm	
Finish	Cat. No.
Satin stainless steel	911.22.602
Satin brass	911.22.603



Rebate sets for these locks shown on page 25

Order qty: 1 pc

TCH-A1 2008, HUK. Dimensional data not binding. We reserve the right to alter specifications without notice.