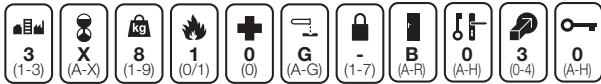


BS EN 12209

Refer to pages 2-3 for information on BS EN 12209, lock grades and classification



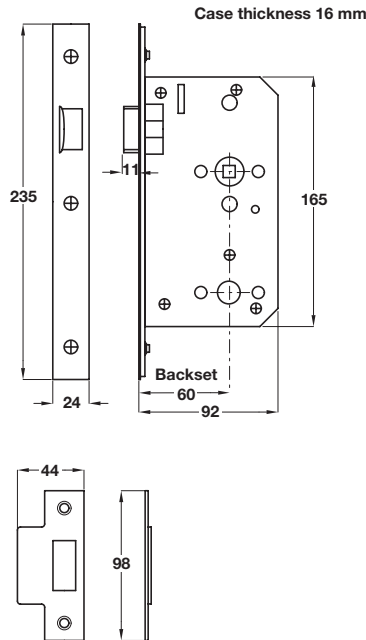
StarTec

A Mortice latch

- **Operation:** Latchbolt operated by lever handles
- **Case:** Galvanized steel, 16 mm wide
- **Forend:** Square, 2 piece. Stainless steel or brass
- **Strike plate:** Square, flat. Included. Stainless steel or brass
- **Latchbolt:** Solid brass, bright zinc-plated. Easily reversible
- **Follower:** 8 mm, brass. For use with **sprung** furniture
- Holed for bolt through furniture at **38 mm** centres
- Only requires a lever depression of approx. **25°** to fully retract latchbolt
- **60 mm** backset
- Certifire certificate no. CF406, rated for 30 mins
- Fixing screws included
- For lever handles refer to **Section 1**

Finish	Cat. No.
Satin stainless steel	911.23.290
Polished brass	911.23.298

Order qty: 1 pc



Rebate sets for these locks are shown on page 17

2

TCH-A1 2008, HUK. Dimensional data not binding. We reserve the right to alter specifications without notice.



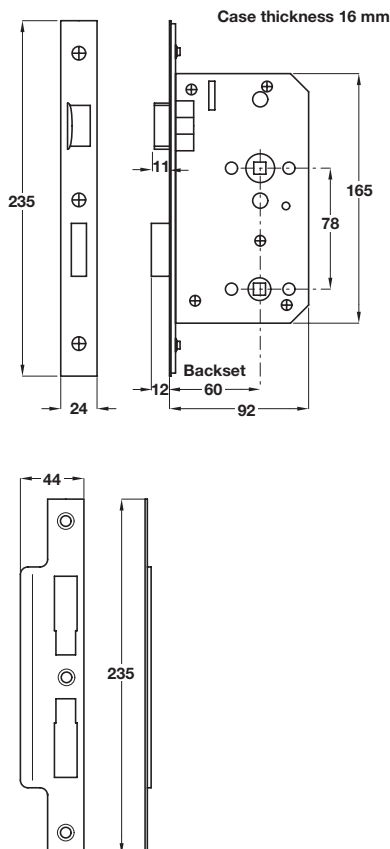
StarTec

B Mortice bathroom lock

- **Operation:** Latchbolt operated by lever handles. Deadbolt operated by turn/emergency release
- **Case:** Galvanized steel, 16 mm wide
- **Forend:** Square, 2 piece. Stainless steel or brass
- **Strike plate:** Square, flat. Included. Stainless steel or brass
- **Latchbolt:** Solid brass, bright zinc-plated. Easily reversible
- **Deadbolt:** Solid brass, bright zinc-plated. **12 mm** throw
- **Followers:** Both 8 mm, brass. Latch for use with **sprung** furniture. 5 - 8 mm adaptor included
- Holed for bolt through furniture at **38 mm** centres, top and bottom
- Only requires a lever depression of approx. **25°** to fully retract latchbolt
- **60 mm** backset
- Fixing screws included
- For lever handles and turn and release sets refer to **Section 1**

Finish	Cat. No.
Satin stainless steel	911.07.070
Polished brass	911.07.078

Order qty: 1 pc



Rebate sets for these locks are shown on page 17