

# Padlocks and Fittings

## Squire All Terrain, Combination, Laminated, Old English

\* Supplier has rated these locks from 1 to 15, where 15 is most secure

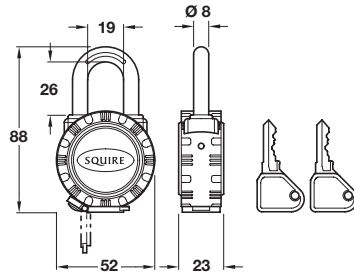
2

### A All Terrain security padlock, open shackle

- 5 pin tumbler mechanism
- 600 key differs
- 2 keys included
- 10 year guarantee
- Tested to over 150 hour salt spray
- Hardened steel open shackle with anti-corrosion plating
- Solid brass lock body with special weatherproof protective cover

Size	Cat. No.
45 mm	911.60.082
50 mm	911.60.083

Order qty: 1 pc



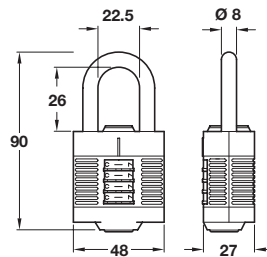
Keyed alike available to order, subject to quantity

### B Combination padlock, open shackle

- For securing gates, vans, sheds, lorries, lockers, lock ups, garages, boats etc.
- Security rating: 7\*
- 4 wheel recodable combination
- 4096 code variations
- Push button to open
- High corrosion resistance
- Hardened steel open shackle, protective finish
- Heavy duty steel body
- Zinc plated with protective coating

Cat. No.	911.60.084
----------	------------

Order qty: 1 pc

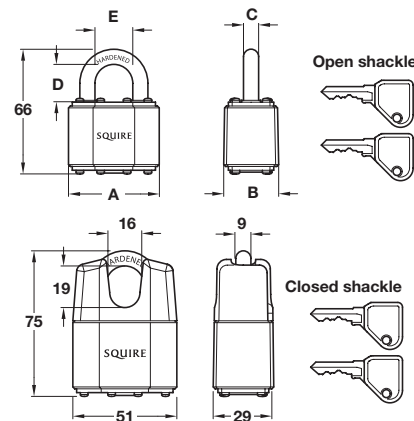


### C Laminated padlock open/closed shackle

- For securing sheds, garages, lock ups, gates, green houses, tool boxes, lockers etc.
- Security rating: 5/6/8/10\*
- 4 pin tumbler mechanism
- 1024 key differs
- 2 keys included
- 10 year guarantee
- Hardened mild steel open/closed shackle
- Covered steel padlock body with anti-corrosive finish

Size (A)	Security rating*	Shackle	Cat. No.	B	C	D	E
38 mm	5	open	911.60.085	23 mm	7 mm	17 mm	16 mm
45 mm	6	open	911.60.086	24 mm	8 mm	20 mm	20 mm
51 mm	8	open	911.60.087	29 mm	9 mm	24 mm	24 mm
51 mm	10	closed	911.60.088	29 mm	9 mm	19 mm	16 mm

Order qty: 1 pc



Closed shackle, size 50 mm shown

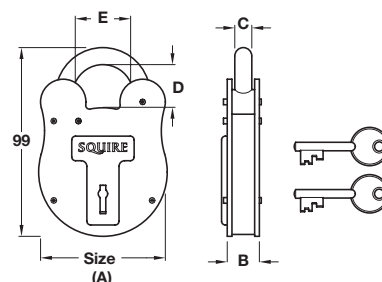


Keyed alike and master keyed available to order, subject to quantity

### D Old English lever padlock open shackle

- For harsh environments; for securing farms, park gates, shed, garages, gates, lock ups etc.
- Security rating: 3/4/5\*
- 4 lever lock mechanism
- 12 key differs
- 2 keys included
- 10 year guarantee
- Mild steel open shackle
- Keyhole cover for weather protection
- Cold rolled steel cases
- Galvanized finish

**Item D.**  
Catalogue shows 64 mm,  
19.7 mm & 21 mm  
Correct dimension is  
69 mm, 16.5 mm & 27 mm



Size A	Security rating	Cat. No.	B	C	D	E
38 mm	3	911.60.110	14.5 mm	7 mm	11 mm	12 mm
50 mm	4	911.60.111	16.5 mm	8 mm	18 mm	18 mm
69 mm	5	911.60.112	16.5 mm	10 mm	21 mm	27 mm

Order qty: 1 pc



Keyed alike available to order, subject to quantity

TCH-A1 2008, HUK. Dimensional data not binding. We reserve the right to alter specifications without notice.