

# Fittings for Straight Sliding Timber Doors

## Auxiliary Bottom Guiding Systems

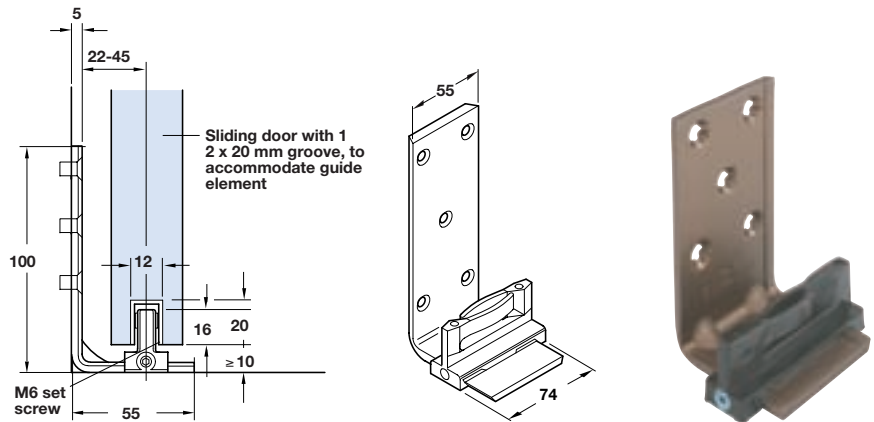
- **HAWA-Confort lower guides** for sliding doors
- Designed for wall mounting, instead of floor fixing which may be difficult due to floor slope, carpet or presence of under-floor heating, etc.

### A HAWA-Confort single lower guide

- With **single** locating element
- Designed for sliding doors without cavity panel
- Bronze coloured anodised aluminium bracket and zinc alloy guide with M6 set screw to adjust guide

Cat. No. 940.40.071

Order qty: 1 pc

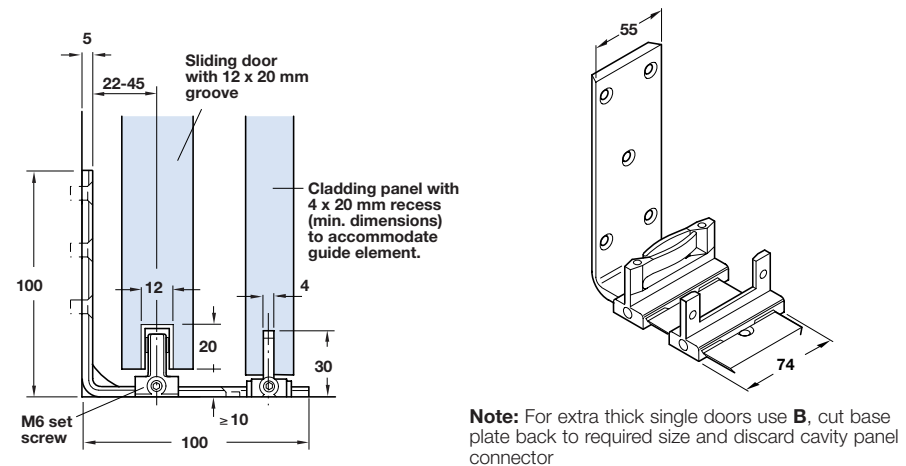


### B HAWA-Confort double lower guide

- With adjustable **double** locating element
- Designed for sliding doors with cavity panel
- The outer element retains the cladding panel (groove 4 x 20 mm).
- Bronze coloured anodised aluminium bracket and zinc alloy guide with M6 set screws to adjust guides

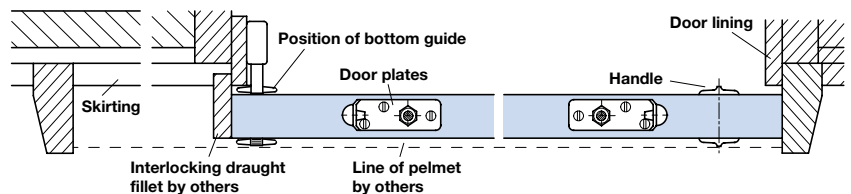
Cat. No. 940.40.072

Order qty: 1 pc



**Note:** For extra thick single doors use **B**, cut base plate back to required size and discard cavity panel connector

TCH-AI 2008, HUK. Dimensional data not binding. We reserve the right to alter specifications without notice.



### C Adjustable bottom door guide

- Light duty, surface fixed
- For where clear threshold required
- Suitable for interior sliding doors up to 1000 mm wide with door thickness 21 to 45 mm
- Adjustable with two screw fixings
- White nylon, galvanized steel

Cat. No. 407.54.070

Order qty: 1 pc

