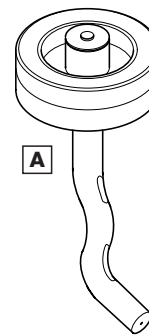
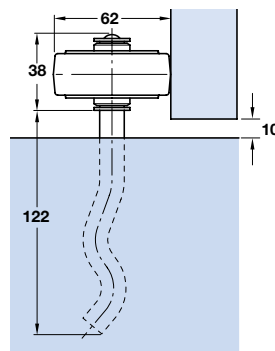
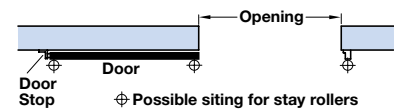


Fittings for Straight Sliding Timber/Metal Interior/Exterior Doors

Straightaway 216 and 320 Ancillary Fittings

- **Basic industrial door bottom control** where floor channel cannot be installed and clear floor threshold is required:



A Stay roller

Steel with solid rubber wheel

Cat. No. 942.51.032

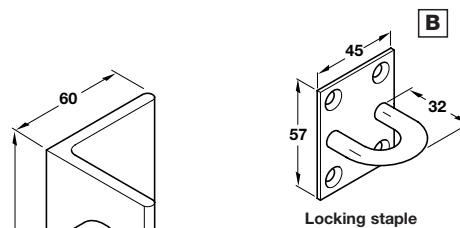
Order qty: 1 pc (3 pcs required per panel)

B Lockable drop bolt and socket

Supplied with locking staple. Zinc plated steel

Cat. No. 942.51.090

Order qty: 1 pc (1 pc required per panel)



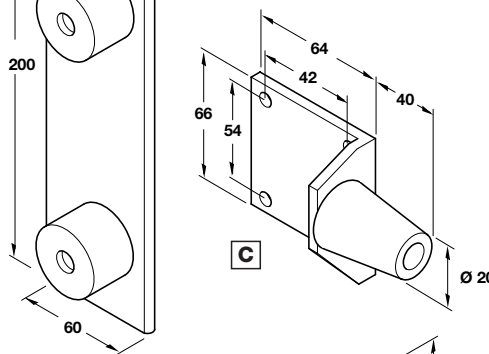
C Door stop, medium duty

Suitable for Straightaway 216 only. Screw fixing. Extruded aluminium with rubber buffer

Cat. No. 942.51.051

Packing: 1 pc (2 pcs required per panel)

D

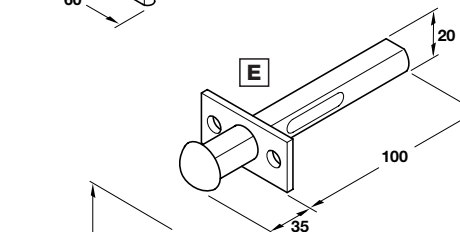


D Door stop, heavy duty

Wall fixing with twin buffers. For doors minimum 45 mm thick. Fixed mid-height of doors. Zinc plated steel

Cat. No. 942.51.050

Order qty: 1 pc (1 pc required per panel)

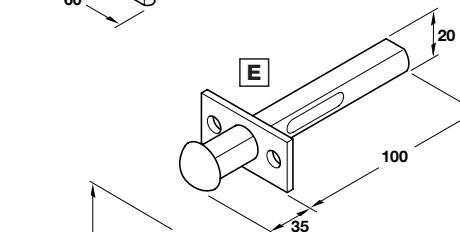


E Mortise spring bumper

Galvanized steel

Cat. No. 930.00.054

Packing: 1 pc (1 pc required per door)

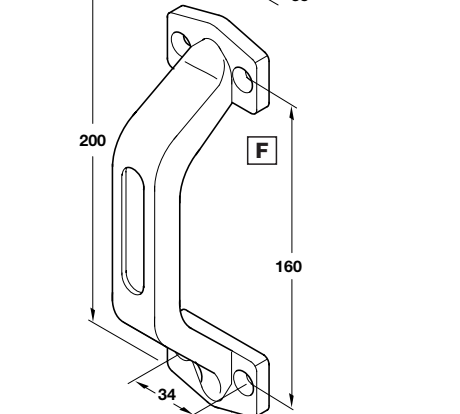


F Bow handle

Zinc plated and gold passivated cast iron

Cat. No. 942.51.060

Order qty: 1 pc (1 pc required per panel)

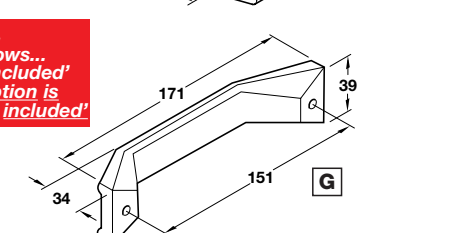


G Bow handle

Heavy duty. Steel

Cat. No. 942.51.070

Packing: 1 pc (1 pc required per panel)



Item H.
Catalogue shows...
'Fixing screws included'
Correct description is
'Fixing screws not included'

H Flush pull handle 150 x 67 mm

For interior side of door or opposite to bow handle I.

Fixing screws not included. Grade 316 stainless steel

Cat. No. 910.37.100

Order qty: 1 pc (1 pc required per panel)

