

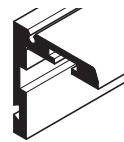
• **Application:** Vertically adjustable sliding door fitting for low and restricted headroom applications. Tandem rollers made of high-grade polyamide, mounted in an aluminium carriage, ensure exceptionally silent action. All parts are corrosion resistant

• **Range:** Max. door weight **120 kg**
Min. door thickness **35 mm**
Max. door height normally **2.5 m**

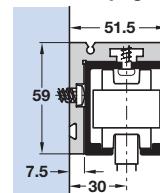
• **Tracks are not included in the fitting set and must be ordered separately**

• Installation drawing reference **17689**

• **For ancillary door fittings, locks, handles, bolts, seals, etc. see pages 4-6**



Top track side fixing profile, shown on page 17



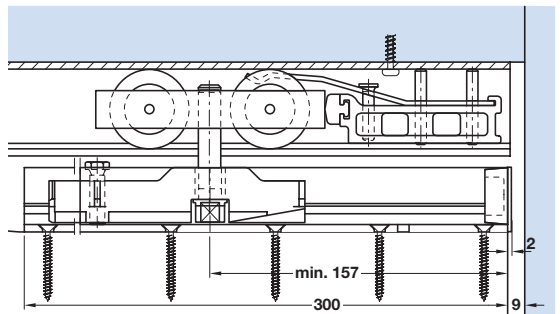
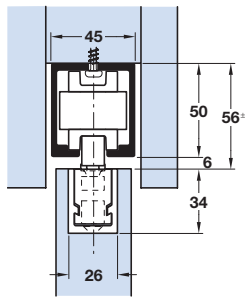
A Junior 120 top track

With screw holes for soffit fixing. Silver anodised aluminium.

Two top tracks are mounted side by side for double or multiple doors

Length	2.5 m	3.0 m
Cat. No.	941.20.250	941.20.300

Order qty: 1 pc (2.5 or 3.0 m length)



Junior 120/B fitting set

B Trolley hanger. Sleeve bearing mounted, high-grade polyamide, tandem rollers. Retainer profile with suspension plate. **M12** hanger pendant and tension bolt. Complete with fastening materials

C Locking wrench. For suspension profile

D Profile plugs. Grey plastic

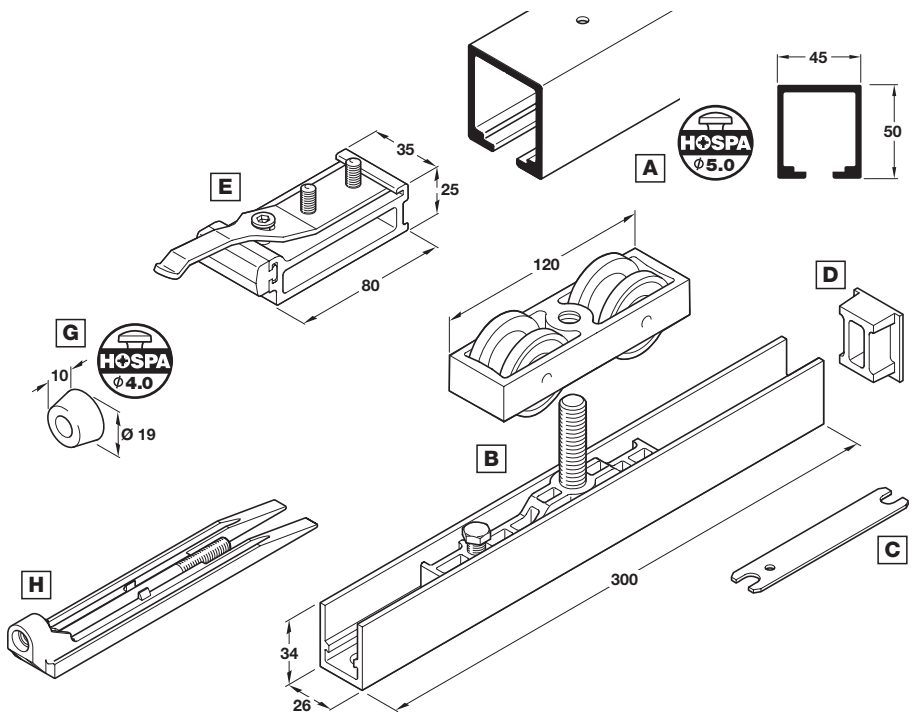
E Track stopper. For adjustable mounting in top track. Zinc alloy housing with steel spring and rubber buffer. Adjustable retaining force

F Guide, rattle proof. For screw mounting to floor. Black plastic

G Rubber buffer. Screw fixing

For 1 door	
B Trolley hanger	2 pcs
C Locking wrench	1 pc
D Profile plugs	2 pcs
E Track stopper	1 pc
F Guide	1 pc
G Rubber buffer	1 pc
Cat. No.	941.20.002

Order qty: 1 set



Important mounting note: If the sliding door is required to stop at both ends, we recommend installing an additional track stopper **E**

E Additional track stopper

For adjustable mounting in top track. Zinc-alloy housing with steel spring and rubber buffer. Adjustable retaining force

Cat. No.	941.20.041
----------	------------

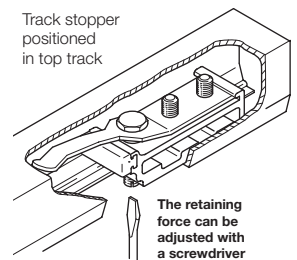
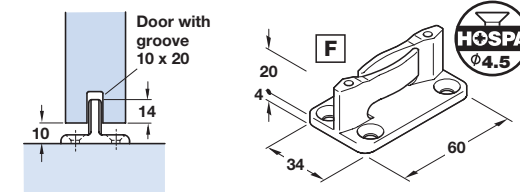
Order qty: 1 pc

H Assembly wedge

For insertion in trolley hanger retainer profile. Allows trolley hangers to be fixed from the side edge of the panel, when the top track and the top of the door is inset into the ceiling, making fixing from the front impossible. Allows installation and removal of doors without disassembling door linings and channels. Refer to page 21 for further details. Aluminium

Cat. No.	940.80.050
----------	------------

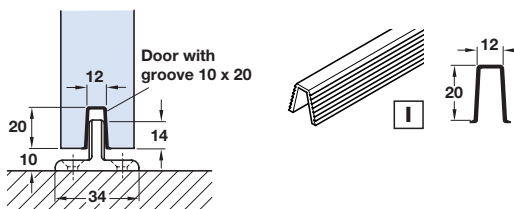
Order qty: 1 set (2 pcs)



I Bottom channel insert profile. Black plastic

Length	1.3 m
Cat. No.	940.41.130

Order qty: 1 pc (1.3 m length)



TCH-A1 2008, HUK. Dimensional data not binding. We reserve the right to alter specifications without notice.