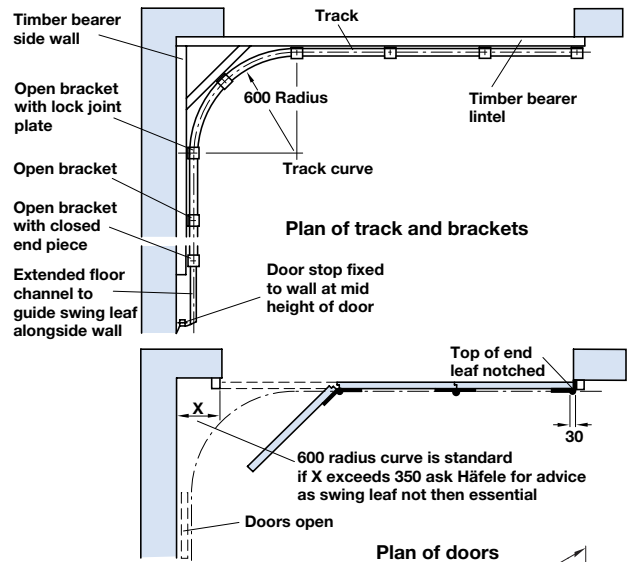
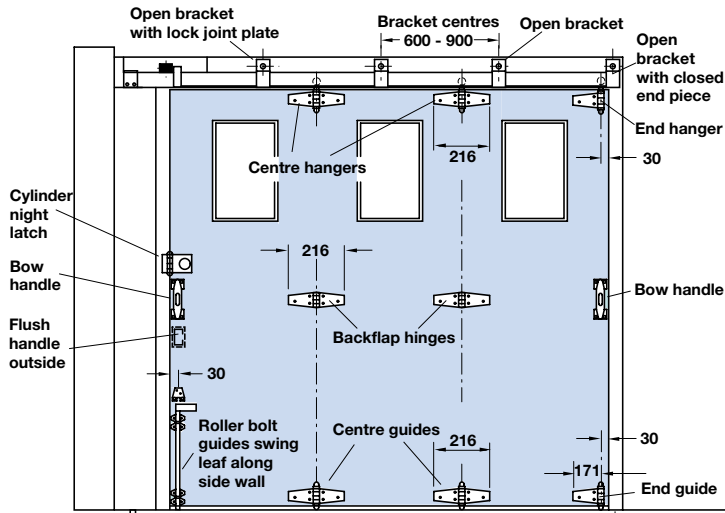
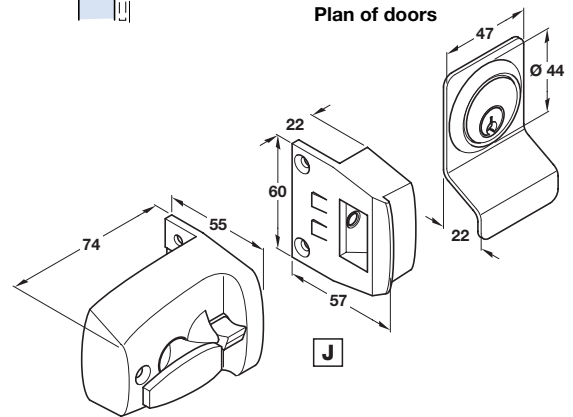
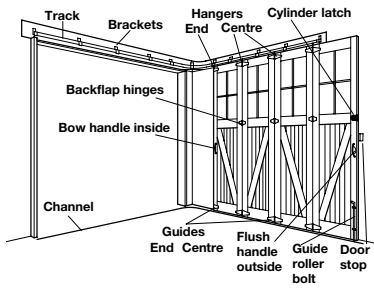


Fittings for Sliding Folding Exterior Doors Cornaway 310

Any number of leaves in opening but no more than five hinged together
Any width of opening



For ancillary door fittings, hinges and locks etc, see page 142



J Deadlocking cylinder rim night latch

For 29-64 mm door thickness. Backset 40 mm
Latchbolt (reversible): brass **Case and keep**: Silver or polished chrome. **Knob**: Polished chrome Cylinder: Satin chrome. Accessories: 2x Keys: Nickel plated

Finish	Cat. No.
Silver sprayed	916.54.914
Pol. chrome-plated	911.58.910

Order qty: 1 set

K Door stop, heavy duty

Wall fixing with twin buffers. For doors 45 mm minimum thickness. Fixed mid-height of doors. Zinc-plated steel

Cat. No.	942.51.050
----------	------------

Order qty: 1 pc (2 pcs required per panel)

L Lockable roller guide bolt

Supplied with locking staple. Zinc-plated steel

Cat. No.	943.23.090
----------	------------

Order qty: 1 pc

M Bow handle

Zinc-plated and gold passivated cast iron

Cat. No.	942.51.060
----------	------------

Order qty: 1 pc (1 pc required per panel)

N Flush pull handle

General duty, for residential use. Fixing screws included. Brass

Finish	Cat. No.
Satin nickel-plated	910.37.085
Polished brass	910.37.080

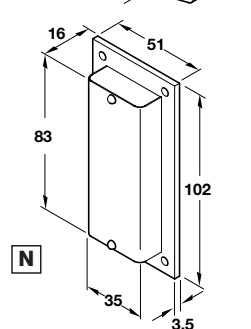
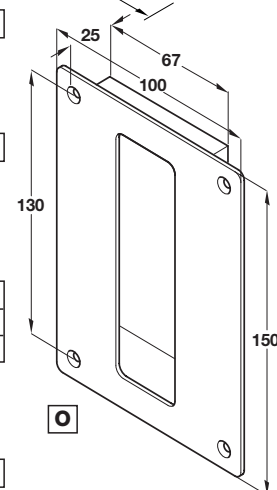
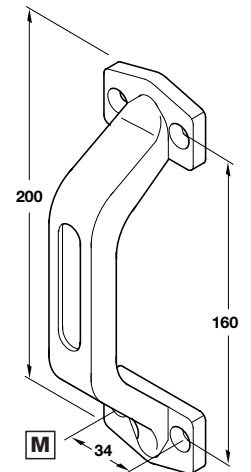
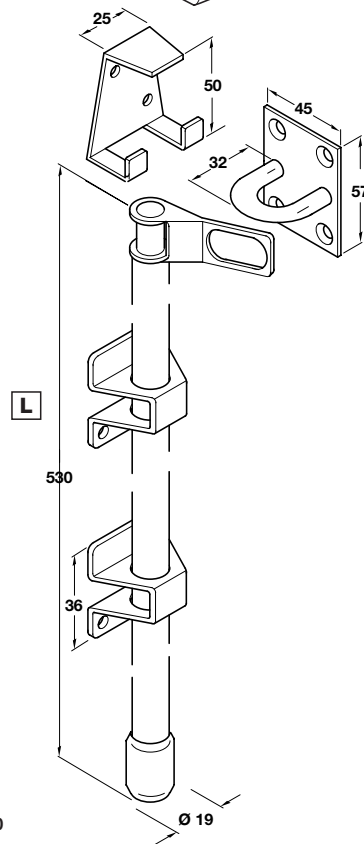
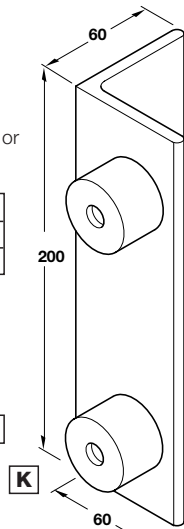
Order qty: 1 pc

O Flush pull handle

Heavy duty, for commercial use. Stainless steel

Cat. No.	910.37.100
----------	------------

Order qty: 1 pc (1 pc required per panel)



Alternative flush pull handles shown in Section 4