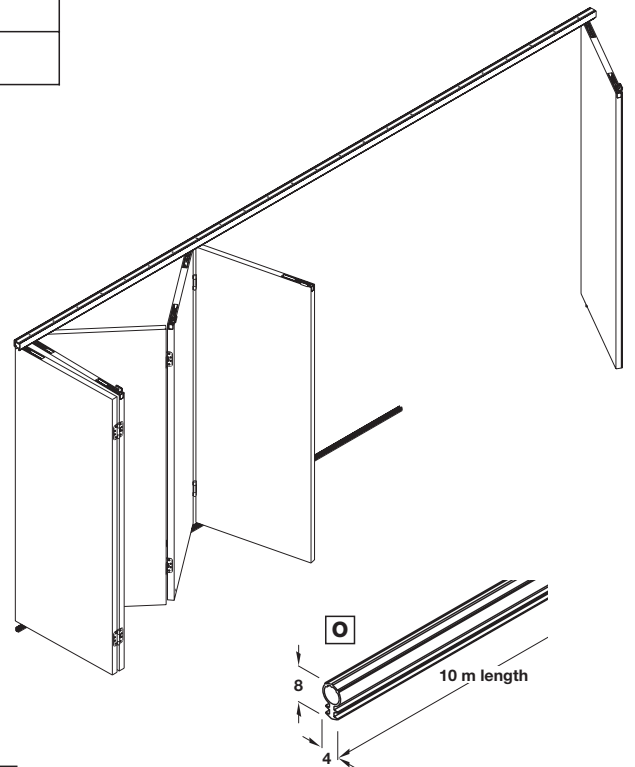


HAWA-Variofold 80/H - Guideline to specifying sets		
Configuration		Sets required
	2 doors with bottom channel	943.29.010
	4 (2+2) doors with bottom channel	943.29.010 x 2 sets
	3 doors with bottom channel	943.29.010 + 943.29.013
	4 doors with bottom channel	943.29.010 + 943.29.012
	5 doors with bottom channel	943.29.010 + 943.29.012 + 943.29.013
	3 (2+1) doors with bottom channel	943.29.010 + 943.29.014
	4 (3+1) doors with bottom channel	943.29.010 + 943.29.013 + 943.29.014
	2 doors with <b>no</b> bottom channel	943.29.011
	3 (2+1) doors with <b>no</b> bottom channel	943.29.011 + 943.29.015



Top track, bottom channel and hinges not included



**O Seal**

Hollow cross-section seal strip, eliminates the problem of light penetrating through gaps between panels. 10 m length. Black

Cat. No.	950.08.300
----------	------------

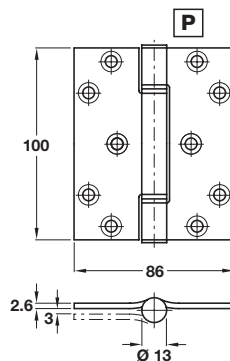
Order qty: 1 pc (10 m length)

**P Stainless steel hinge, 3 knuckle** **RT**

Maximum adjusted door weight - 80 kg. For minimum door thickness 40 mm. Fixings included. CF 209. Grade 304 stainless steel

<b>Length x width</b>	<b>100 x 86 mm</b>
<b>BS EN 1935 grade</b>	<b>12</b>
Satin stainless steel	926.88.010
Polished stainless steel	926.88.011

Order qty: 1 pc

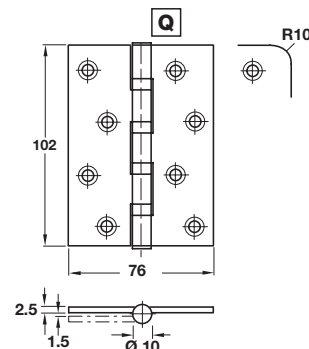


**Q Stainless steel hinge, thrust bearing**

High performance hinges, 102 x 76 mm. Min. door thickness 35 mm. Deep thrust bearing washers to each joint heat treated for high corrosion resistance. Max. door weight 120 kg. Fixing screws included. Satin/polished stainless steel finish or high specification lacquered brass finish-salt water tested CP 240. CE Conformat reference no. 1121

<b>Length x width</b>	<b>102 x 76 mm</b>
<b>BS EN 1935 grade</b>	<b>13</b>
Satin stainless steel	921.08.140
Polished brass finish	921.08.159

Order qty: 1 pc



TCH-AI 2008, HUK. Dimensional data not binding. We reserve the right to alter specifications without notice.