

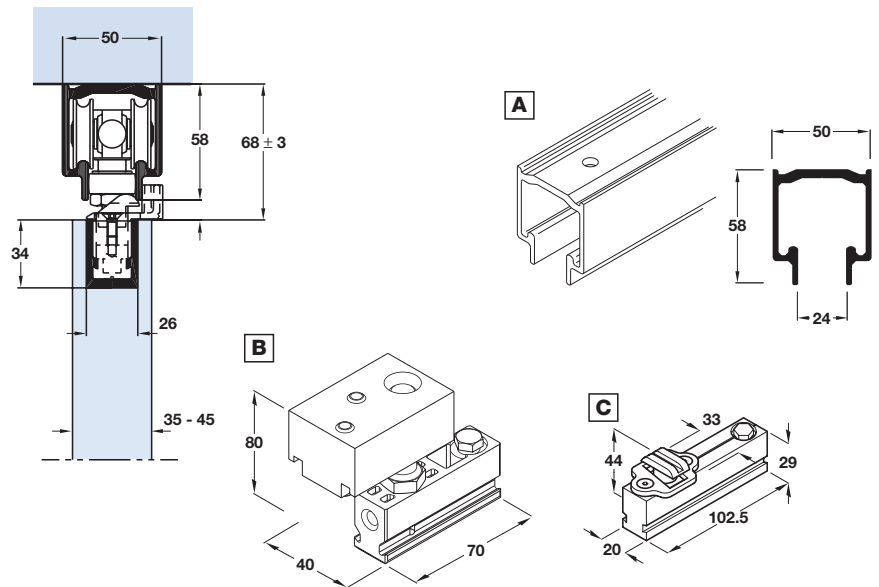
Application:

For high quality and potentially heavy weight top hung end folding partition systems. The frame to first panel joint is pivoted, making equal **leaf width suites** possible suitable for internal and possibly external applications and also for inward or outward opening suites. Normally used with a continuous bottom guide channel and if so, both odd and even numbers of panels may be incorporated into the suite. However, suites involving pairs of doors, folding either to one or both sides of an opening can be fitted without bottom guide channel. The system is ideal for all residential, domestic and commercial projects.

Range:

Door thickness	35-45 mm
Maximum door panel weight	80 kg
Maximum panel width	900 mm
Minimum panel width	500 mm
Maximum panel height	3.5 m

Installation drawing reference **19586**



A Top track

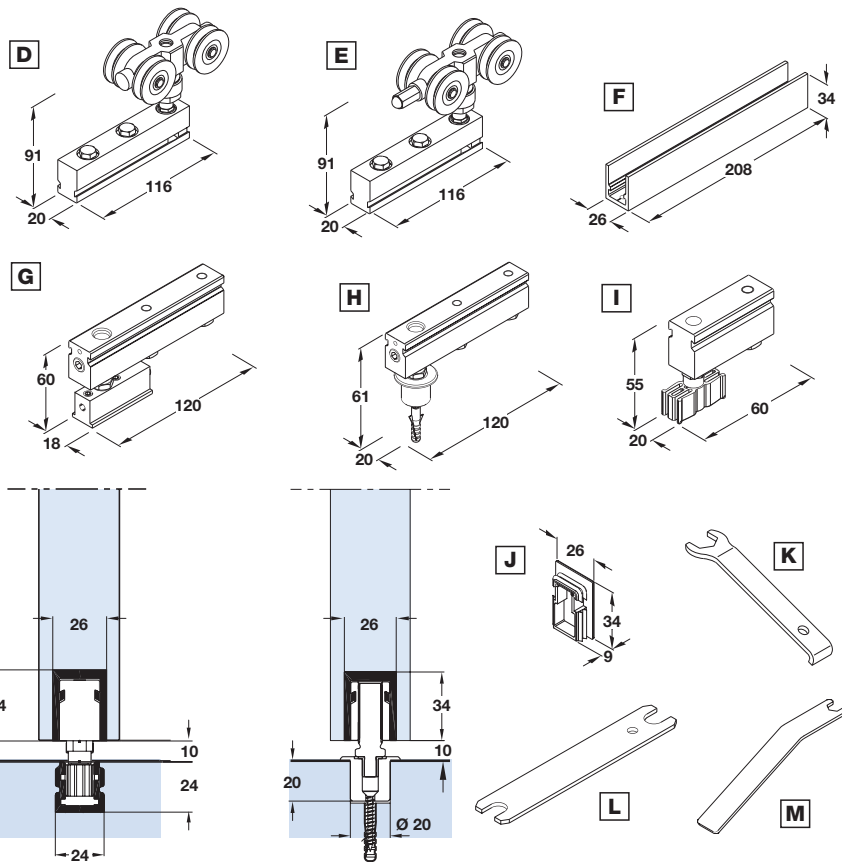
Pre drilled for countersunk screws. Anodised aluminium

Length	Cat. No.
2.5 m	943.27.925
3.5 m	943.27.935

Order qty: 1 pc (2.5 or 3.5 m length)

HAWA-Variofold 80H fitting sets

- B** Top pivot bearing
- C** Stop with adjustable retainer
- D** Trolley hanger. M10 plastic-tyred wheels and suspension plate
- E** Trolley hanger. M10 plastic-tyred wheels and suspension plate and spacer
- F** Suspension profile. Pre drilled for countersunk screws. Anodised aluminium
- G** Thrust bearing, for bottom guide channel, including driver
- H** Thrust bearing sleeve, Ø 20 mm, including driver
- I** Guide rattle proof, rattle proof, for bottom guide channel, plastic
- J** Cover cap. Grey plastic
- K** Vertical adjustment key
- L** Suspension assembly locking wrench
- M** Fork spanner



Fitting sets

- 1** Basic set (2 doors) with pivot bearing and guide
- 2** Basic set (2 doors) with pivot bearing without guide
- 3** Additional set with guide
- 4** Pivot door set to folded stack, without trolley and top pivot bearing
- 5** Single pivot door set for installation with bottom guide channel
- 6** Single pivot door set for installation without bottom guide channel

See next page for examples

Note: Bottom guide channel not included with any of the fitting sets

Set	Fittings included in HAWA-Variofold 80H fitting sets													Cat. No.
	B	C	D	E	F	G	H	I	J	K	L	M		
Set 1	1 pc	1 pc	1 pc	-	5 pcs	1 pc	-	1 pc	5 pcs	1 pc	1 pc	1 pc	943.29.010	
Set 2	1 pc	1 pc	1 pc	-	4 pcs	-	1 pc	-	4 pcs	1 pc	1 pc	1 pc	943.29.011	
Set 3	-	1 pc	-	1 pc	3 pcs	-	-	1 pc	3 pcs	-	-	-	943.29.012	
Set 4	-	1 pc	-	-	1 pc	-	-	-	1 pc	-	-	-	943.29.013	
Set 5	1 pc	1 pc	-	-	3 pcs	1 pc	-	-	3 pcs	-	-	-	943.29.014	
Set 6	1 pc	1 pc	-	-	3 pcs	-	1 pc	-	3 pcs	-	-	-	943.29.015	

Order qty: 1 set

N Channel

Anodised aluminium.

Length	Cat. No.
2.5 m	940.81.250
3.5 m	940.81.350

Order qty: 1 pc (2.5 or 3.5 m length)

