

**Application:**

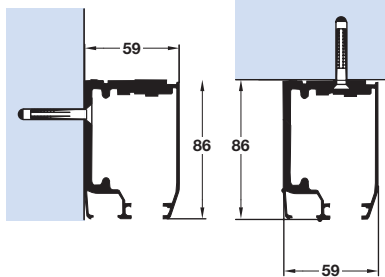
The Sesamo system is a simple to install sliding gear for heavy frameless glass doors. A fixed glass panel is incorporated into the top track meaning partitions can be quickly mounted.

Glass can be drilled, if required.

Height adjustment can be easily made whilst the door is mounted. Suitable for all interior applications

**Range:**

- Minimum door weight: **150 kg**
- Glass door thickness: **8-10 mm**
- Maximum door height: **2250 mm**
- Maximum door width: **1100 mm**

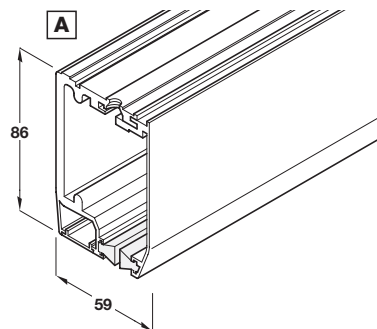


**A 'Sesamo' top track and profile set**

Cover profiles included and profile for the bottom of the fixed glass panel included. Silver anodised aluminium

Length	Cat. No.
2.0 m	941.54.920
2.5 m	941.54.925
3.0 m	941.54.930

Order qty: 1 pc (2.0, 2.5 or 3.0 m lengths)

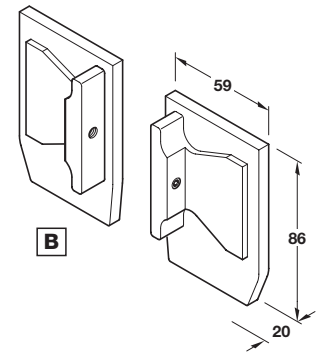
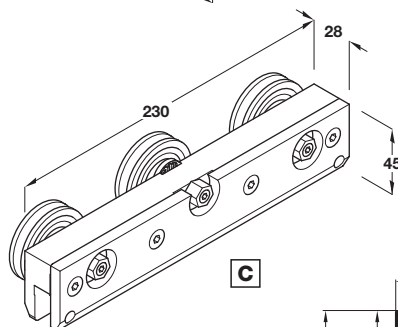


**B End caps for top track**

Fixing materials included. To be fixed with both ends of top track. Silver anodised aluminium

Cat. No.	941.54.020
----------	------------

Order qty: 1 pair



**Item C.**  
Please note: Fitting instructions included show that glass can be drilled if required, but this is not essential.

**C 'Sesamo' single door fitting set**

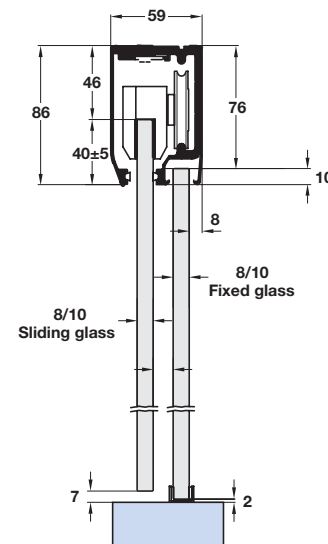
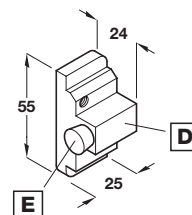
**C Clamp carrier.** Sleeve bearing mounted, high-grade polyamide, tandem rollers. Aluminium carriage.

**D Track stopper.** For adjustable mounting in top track.

**E Rubber buffer.** Push fixing.

<b>C</b> Clamp carrier	2 pcs
<b>D</b> Track stopper	2 pcs
<b>E</b> Rubber buffer	2 pcs
Cat. No.	941.54.000

Order qty: 1 set



**F Bottom guide**

Screw fixing to base. For glass thickness 8-10 mm

Finish	Cat. No.
Satin chrome plated	941.54.070
Satin nickel plated	941.54.071

Order qty: 1 set

