

• **Application:** High quality top hung system for toughened glass doors. Due to the unique design of the system all trolleys and clamps are concealed within the top track so that a pelmet is not required. No access panel required, glass doors can be removed without removing any part of the door frame or ceiling.

This is particularly suitable for hotels, offices, schools etc. where panels may have to be replaced on a regular basis.

• **Range:**

Maximum door weight	<b>100 kg</b>
For glass door thickness	<b>8-12 mm</b>
Max. glass panel height	<b>2700 mm</b>
Max. glass panel width	<b>1600 mm</b>

**A Top track**

Pre-drilled. Anodised aluminium.

Length	2.5 m	3.5 m
Cat. No.	941.00.425	941.00.435

Order qty: 1 pc (2.5 or 3.5 m length)

**B Side fixing profile**

Pre-drilled. Anodised aluminium.

Length	2.5 m	3.5 m
Cat. No.	941.01.226	941.01.236

Order qty: 1 pc (2.5 or 3.5 m length)

**C Fascia profile**

To clip onto top track. Anodised aluminium

Length	2.5 m	3.5 m
Cat. No.	941.01.025	941.01.035

Order qty: 1 pc (2.5 or 3.5 m length)

**D Screening seal**

For mounting in top track and fascia profile. Black plastic, in 20 m rolls

Cat. No.	941.00.094
----------	------------

Order qty: 1 roll (20 m length)

**Porta 100 GW fitting set**

**E Trolley hanger**, with plastic rollers, with M8 pendant bolt with locknut.

**F Clamping shoe set**. Adjustable clamp for 8-12.7 mm thick glass. Aluminium

**G Track stopper with spring**. For mounting in top track. Light grey plastic.

**H Track stopper without spring**. For mounting in top track. Light grey plastic.

**I Fascia profile clip**. Light grey plastic.

**J Rubber buffer**. Black rubber

**K Bottom guide**, anodised aluminium

Fixing materials included

<b>For 1 door</b>	
<b>E</b> Trolley hanger	<b>2 pcs</b>
<b>F</b> Clamping shoe set	<b>2 pcs</b>
<b>G</b> Track stopper with spring	<b>1 pc</b>
<b>H</b> Track stopper	<b>1 pc</b>
<b>I</b> Fascia profile clip	<b>12 pcs</b>
<b>J</b> Rubber buffer	<b>1 pc</b>
<b>K</b> Bottom guide	<b>1 pc</b>
Cat. No.	941.00.005

Order qty: 1 set

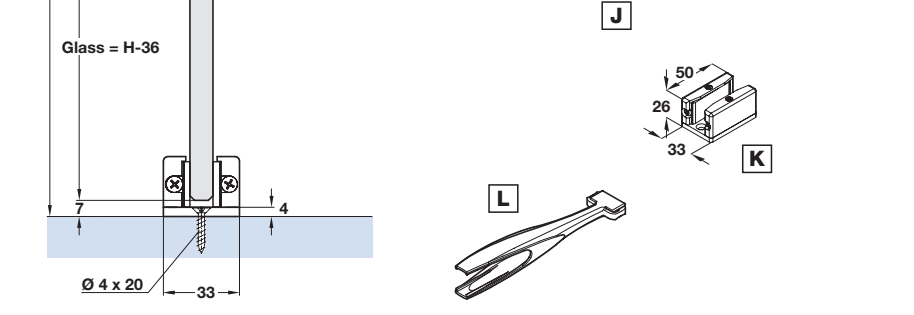
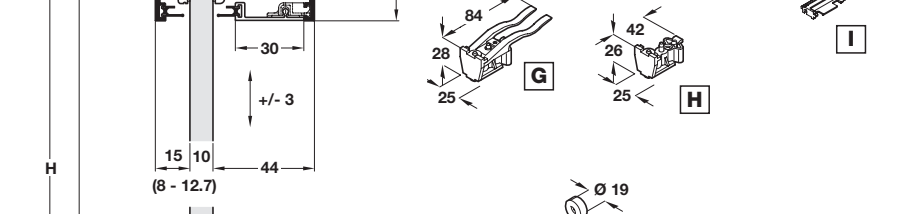
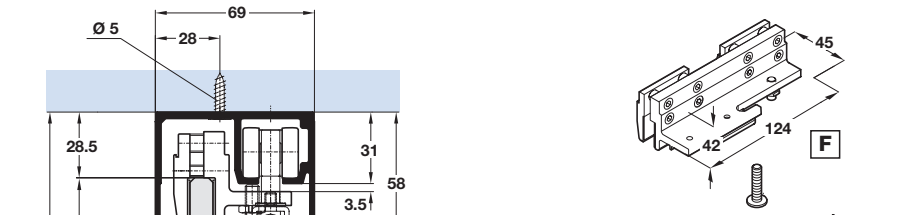
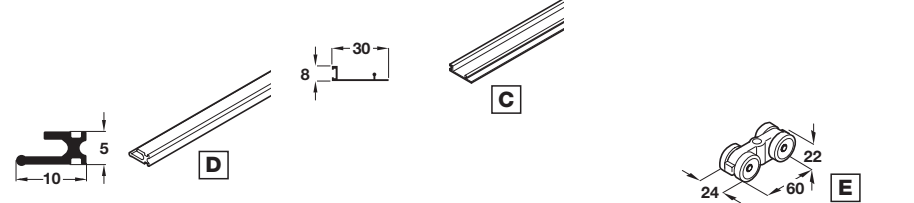
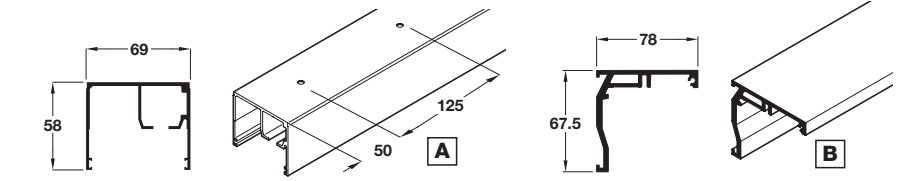
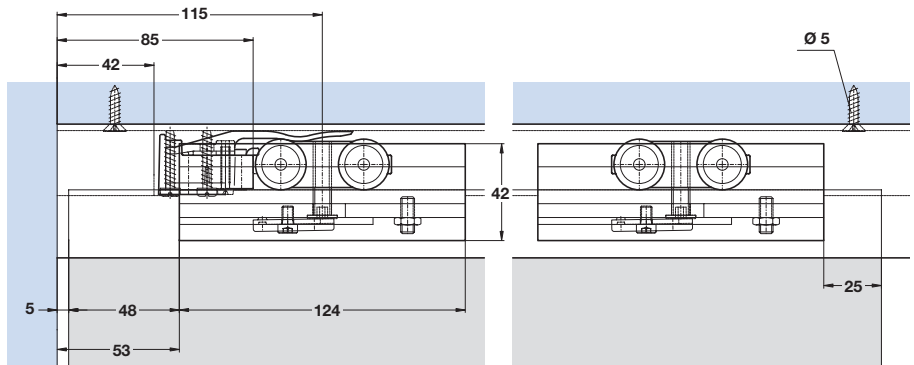
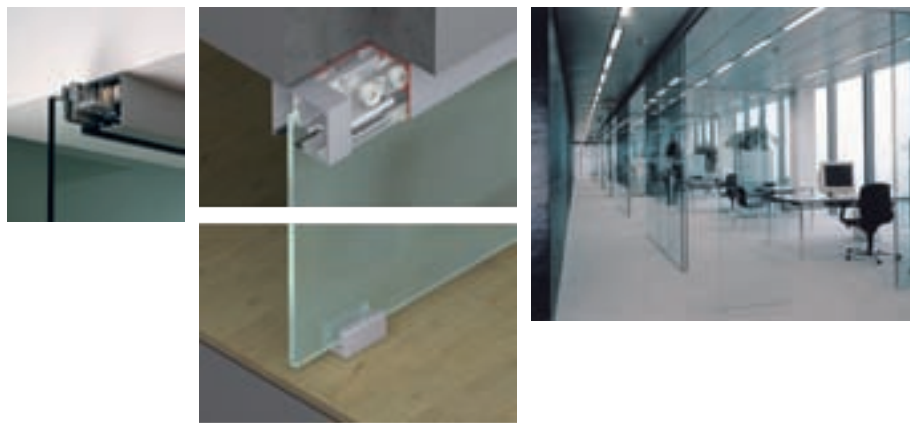
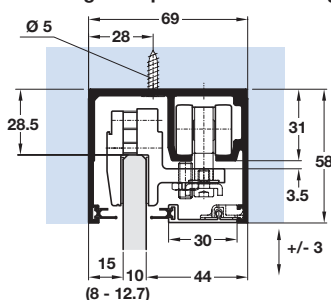
**L Track cleaning brush**

For EKU Porta and EKU Divido running tracks. Plastic.

Cat. No.	941.00.099
----------	------------

Order qty: 1 pc

**Mounting example flush with ceiling**



TCH-AI 2008, HUK. Dimensional data not binding. We reserve the right to alter specifications without notice.