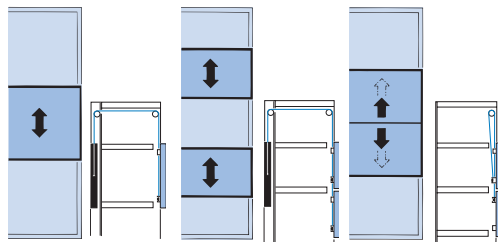


**EKU Libra 20 H**

- **Libra 20 H**
- **Application:** For 1 or 2 vertically sliding doors, **inset** or **overlay**, with counterweight system. For top quality joinery work
- **Range:** Max. door panel weight **20 kg**  
Min. door thickness **16 mm**  
Max. panel height **1000 mm**  
Max. panel width **1600 mm**
- **Front tracks, cover profiles and rear tracks must be ordered separately**



**Libra 20 H 1 door**      **Libra 20 H 2 doors**      **Libra 20 H Synchro 2 bi-parting doors refer to page 95**



**A Front track.** Surface mounted, with screw holes for front side fixing. Anodized aluminium

Length	2.5 m
Cat. No.	403.21.925

Order qty: 1 pc (2.5 m length)

**B Cover profile.** Clips onto front track **A** and over brackets **K**. Anodised aluminium

Length	2.5 m
Cat. No.	403.22.925

Order qty: 1 pc (2.5 m length)

**EKU Libra 20 H fitting sets**

**C Running gear.** Left hand with retaining spring, right hand adjustable using SW4 allen key. Plug in and screw fix to door panel. With black rubber door buffer. Plastic roller with metal axle, anthracite grey plastic - used at top and bottom of unit

**D Top bracket.** Screw fixes to top running gear and guides cord. Silver chromated steel

**E Bottom bracket.** Screw fixes to bottom running gear, cord secured to bracket using fixing screws and locking pin **F**. Silver chromated steel

**F Locking pin,** steel. Secures cord to bottom bracket

**G Cord,** blue Kevlar

**H Running gear covers.** Clip on, anthracite grey plastic

**I Cover plates.** Clip on, anthracite grey plastic

**J Cord front guides.** Slots into track **A**, secured using SW3 allen key. Plastic guide roller with yellow chromated steel bracket

**K Cord guide bracket.** Screw fix to cabinet side wall. Guides cord from front to rear. Silver chromated steel

**L Cord rear guides.** Screw fixing, side mounted at rear of cabinet. Plastic guide roller with silver chromated steel fixing bracket

**M Counterweight guide roller.** Silver chromated steel bracket for screw fixing to counterweight. Anthracite grey plastic bracket for securing cord, slot on and screw fix to steel bracket

**N Rear track buffer.** Anthracite grey plastic

Fitting sets for	1 door	2 doors
<b>C</b> Running gear	2 pairs	4 pairs
<b>D</b> Top bracket	2 pcs	4 pcs
<b>E</b> Bottom bracket	2 pcs	4 pcs
<b>F</b> Locking pin	2 pcs	4 pcs
<b>G</b> Cord	2 pcs	4 pcs
<b>H</b> Running gear covers	2 pairs	4 pairs
<b>I</b> Cover plates	2 pairs	2 pairs
<b>J</b> Cord front guides	1 pair	1 pair
<b>K</b> Cord guide bracket	4 pcs	4 pcs
<b>L</b> Cord rear guides	1 pair	1 pair
<b>M</b> Counterweight guide	2 pcs	4 pcs
<b>N</b> Rear track buffer	4 pcs	4 pcs

Cat. No. 403.20.001 403.20.002

Order qty: 1 set (order 1 set per 1 or 2 door application)

**O Rear track**

With screw-mounting holes. Bright aluminium

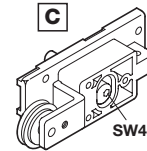
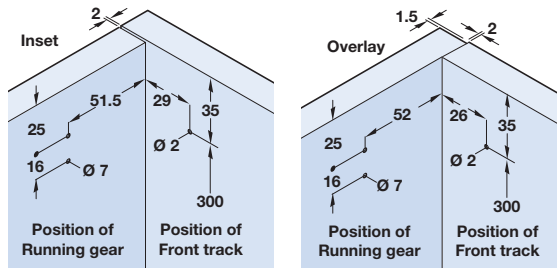
Length	2.5 m	3.5 m
Cat. No.	405.30.025	405.30.035

Order qty: 1 pc (2.5 or 3.5 m length)

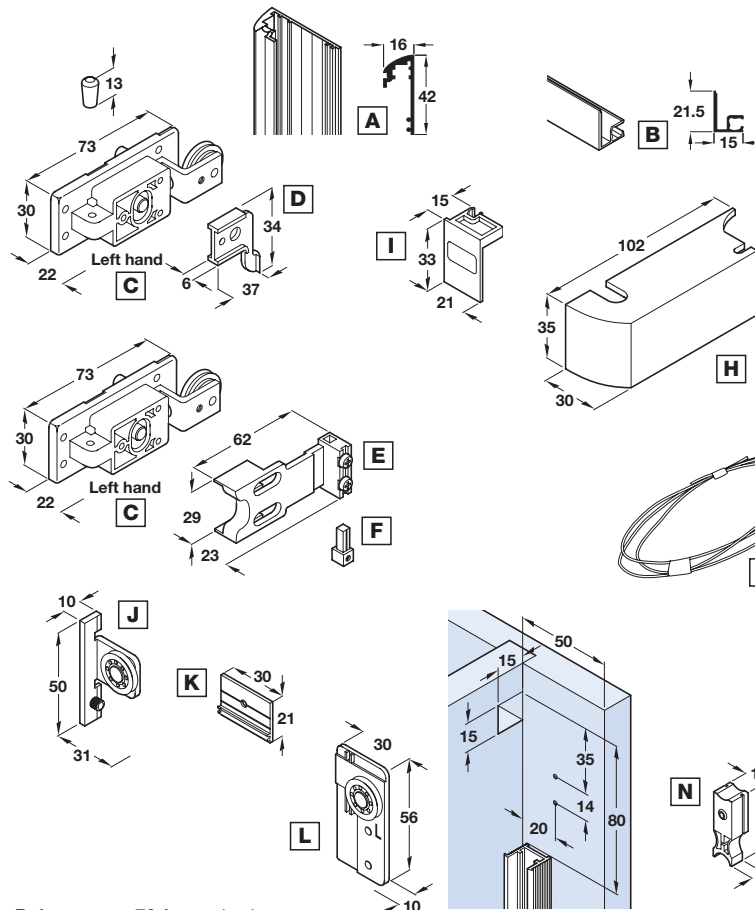
**P Additional guide roller.** Silver chromated steel

Cat. No. 403.23.900

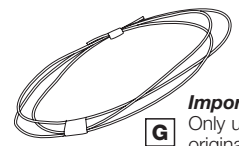
Order qty: 1 pc (order 2 pcs per door)



**Right hand running gear adjustable using SW4 allen key**



Refer to page 79 for method of calculating size and weight of counterweight



**Important:** Only use the original cords supplied

10

TCH-A1 2008, HUK. Dimensional data not binding. We reserve the right to alter specifications without notice.