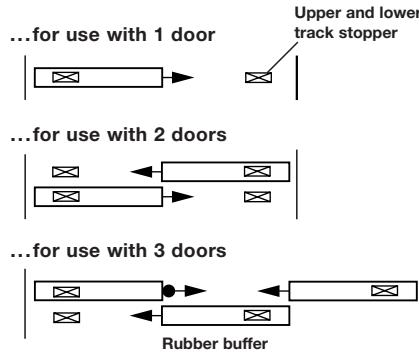


# Fittings for Straight Sliding Timber Cabinet Doors

## HAWA-Miniroll 25 Bottom Rolling



- **Application:** Bottom rolling system for top quality domestic and commercial furniture where doors slide on single or double parallel tracks. Both top guides and bottom rollers have **vertical adjustment facility**
- **Range:** Max. door panel weight **25 kg**  
Min. door panel thickness **19 mm**
- **Recommended door construction**  
Width normally one third of height minimum to maintain door operation stability
- **Fixing:** Reversible track/channel profiles are countersunk, drilled
- **Detailed assembly instructions are included with each fitting set**
- **HAWA Miniroll 25 fitting sets** are available for one, two or three doors
- **Track/channel reversible profile is not included in the fitting set and must be ordered separately**



For ancillary door hardware i.e. locks, handles and bolts etc. refer to page 19

### A Reversible track/channel profile

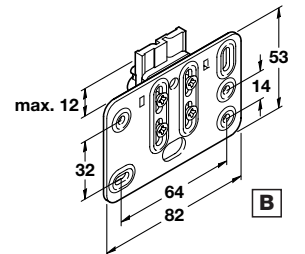
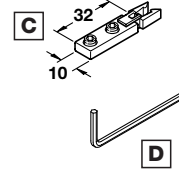
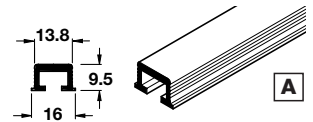
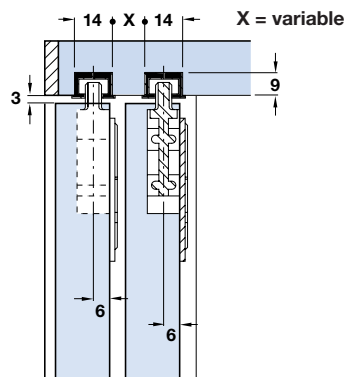
With flanged edges and barbed shoulder. Press-fit and glued into a groove. Silver anodised light alloy

Tracks are supplied as sets

1 set = 4x 2.5 m or 4x 3.5 m lengths

Length	2.5 m	3.5 m
Cat. No.	404.34.919	404.34.937

Order qty: 1 set (order 1 set depending on cupboard width)



### Hawa Miniroll 25 fitting sets

**B Fixing plate with guide.** Nickel-plated steel mounting plate with plastic top guide. Adjustable height +6 mm.

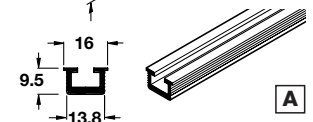
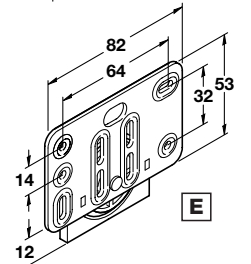
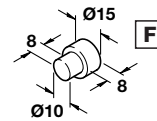
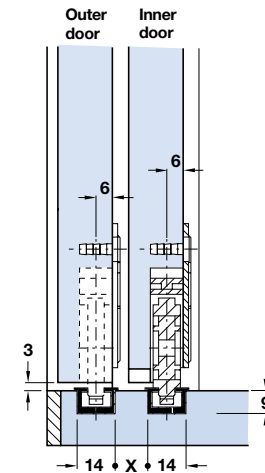
**C Track stopper.** With clamp set (4 pcs = 1 set). Adjustable in track/channel. Steel with rubber buffer

**Important: Insert stoppers into the track/channel before locating into place**

**D Allen key.** To secure stopper C in track/channel. Steel

**E Bottom roller.** With eccentric screw for adjusting the door panel height. Nickel-plated steel mounting plate

**F Rubber buffer.** Fits in a hole drilled in the end of door panel. White rubber



For 1 door	
B Fixing plate with guide	2 pcs
C Track stopper	1 set
D Allen key	1 pc
E Bottom roller	2 pcs
Cat. No.	404.35.014

For 2 doors	
B Fixing plate with guide	4 pcs
C Track stopper	2 sets
D Allen key	1 pc
E Bottom roller	4 pcs
Cat. No.	404.35.023

For 3 doors	
B Fixing plate with guide	6 pcs
C Track stopper	2 sets
D Allen key	1 pc
E Bottom roller	6 pcs
F Rubber buffer	1 pc
Cat. No.	404.35.032

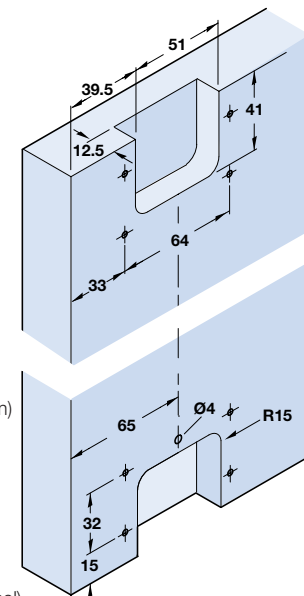
Order qty: 1 set (order 1 set per 1, 2 or 3 door application)

### G Cover cap

Press-fit in open end of track/channel if required. Black plastic

Cat. No.	404.33.092
----------	------------

Order qty: 1 pc (order 2 pcs per length of track/channel)



### Position of track stoppers

