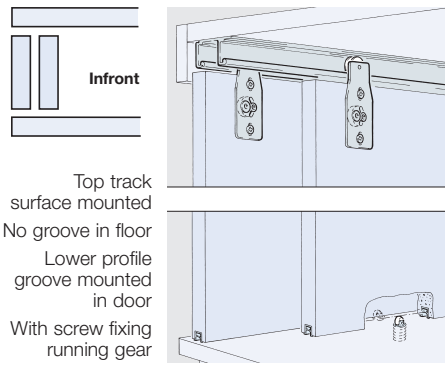
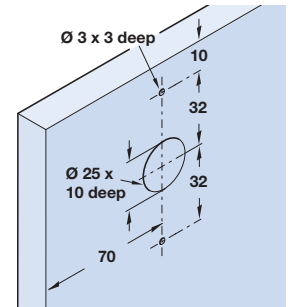


- Application:** Heavy-duty version of Combino 20/35 for general purpose top hung straight sliding inset cupboard doors of timber or metal construction
- Range:** Max. door panel weight **60 kg**
Max. door height **2600 mm**
Max. door width **1400 mm**
For door thickness **19-27 mm**, recommended door thickness **25 mm**
- Trolley hangers:** Top and back fixing; steel body with plastic tyred, ball bearing mounted wheels. Back fixing version ± 3 mm adjustment using allen key, SW6
- Fittings:** Supplied as individual items
- Important note:** For extra robustness or where more than three panels on parallel tracks are used, continuous floor channels with guides are recommended (**Details on request**)



Compatible with EKU soft closing system shown on pages 49-50



Drilling diagram for F

For ancillary door hardware i.e. locks, handles and bolts etc. refer to page 19

A Top track

With screw holes, soffit fixing. Bright aluminium

Length	2.5 m	3.5 m
Cat. No.	405.69.025	405.69.035

Order qty: 1 pc (2.5 or 3.5 m length)

B Double top track

With screw holes, soffit fixing. Bright aluminium

Length	2.5 m	3.5 m
Cat. No.	405.70.025	405.70.035

Order qty: 1 pc (2.5 or 3.5 m length)

C Fascia clip

Clips onto track A or B, every 700-800 mm. Pre-drilled for attaching wooden fascia. Bright aluminium

Cat. No.	405.70.090
----------	------------

Order qty: 1 pc

D Track stopper

For top track. Grey plastic with rubber buffer and galvanized steel spring retention catch

Cat. No.	405.74.110
----------	------------

Order qty: 1 pc (order 2 pcs per length of single track or 4 pcs per length of double track)

E Trolley hanger, top fixing

Single roller. Suitable for **metal doors**. Galvanized steel body with plastic tyred, ball bearing mounted roller. **No height adjustment**

Cat. No.	405.76.320
----------	------------

Order qty: 1 pc (order 2 pcs per door)

F Trolley hanger, back fixing

Single roller. **Not suitable for metal doors**. Height adjustable, ± 3 mm. Galvanized steel body with plastic tyred, ball bearing mounted roller

Cat. No.	405.76.350
----------	------------

Order qty: 1 pc

G Rubber buffer

Screw fixing. Black rubber

Cat. No.	407.01.930
----------	------------

Order qty: 1 pc (order 2 pcs per door)

H Rubber buffer. Plug-fit. Black rubber

Cat. No.	406.24.101
----------	------------

Order qty: 1 pc (order 2 pcs per door)

I Lower guide profile

For glue mounting. Bright aluminium

Length	2.5 m	3.5 m
Cat. No.	405.04.250	405.04.350

Order qty: 1 pc (2.5 or 3.5 m length)

J Bottom guide

Press-fit, spring loaded. Grey plastic

Cat. No.	405.04.040
----------	------------

Order qty: 1 pc

