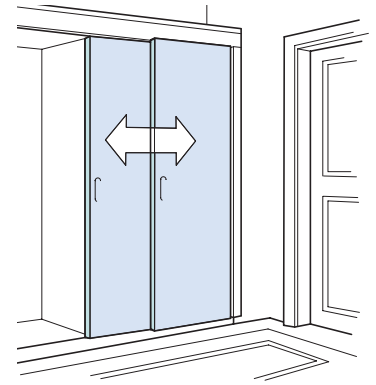
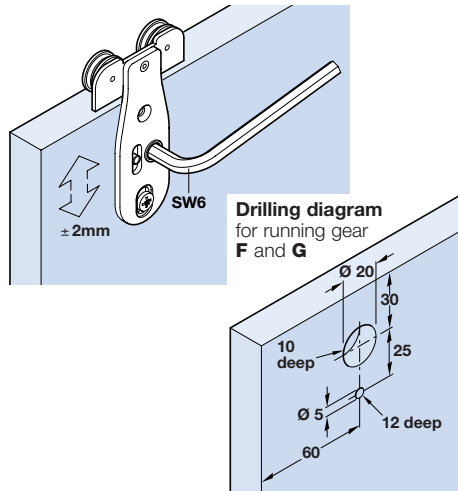


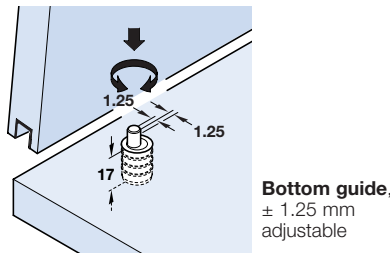
### Combino 20 Infront set, back fixing

- **Combino Infront 20 fitting set, back fixing** for use with **two doors** comprises fittings **D, F** and **J**
- For door weights up to **20 kg**
- **Varianta screws**, Ø 6.3 x 13 mm are included in the fitting sets
- **Trolley hangers**, back fixing
- Yellow chromated steel body with plastic tyred, ball bearing mounted rollers
- **Back fixing trolley hangers have ± 2 mm height adjustment using allen key**
- **Top track and lower guide profile to be ordered separately**



Fitting set for	2 doors
<b>D</b> with spring	2 pcs
<b>D</b> without spring	2 pcs
<b>F</b> back fixing, 1 roller	4 pcs
<b>J</b> with Ø 7.5 mm lug	2 pcs
Cat. No.	405.91.624

Order qty: 1 set (order 1 set per pair of doors)



Compatible with EKU soft closing system shown on pages 49-50

For ancillary door hardware i.e. locks, handles and bolts etc. refer to page 19

### Alternative Hangroller M trolley hangers to suit economy applications:

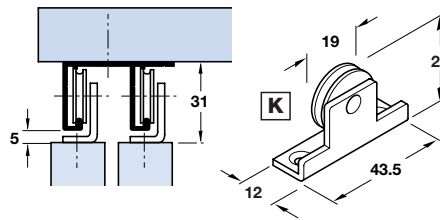
#### **K** Trolley hanger

**20 kg** per pair, **single roller, top fixing**

Roller ball bearing mounted. Yellow chromated steel body with nylon roller. No height adjustment

Cat. No.	406.32.924
----------	------------

Order qty: 1 pc (order 2 pcs per door)



### Alternative bottom guiding:

#### **L** Guide

For clear threshold applications i.e. no floor channel. Screw mounted to cupboard floor. Grey plastic

Cat. No.	940.40.030
----------	------------

Order qty: 1 pc (order 1 pc per door)

#### **M** Rubber buffer

Screw fixing. Black rubber

Cat. No.	407.01.930
----------	------------

Order qty: 1 pc (order 2 pcs per door)

