

- Application:** High quality residential furniture where either **decorative** or **functional overlay** sliding panels are required. Ideal for retrofit work
- Features:** **Concealed** sliding door gear components. **Top hung or bottom rolling** alternative options. Rails can be easily fixed directly to existing cabinet top and bottom carcase members or even to intermediate shelves, making the system ideal for retrofit work. **Eccentric height adjustment ± 3 mm** on running gear
- Range:** Max. door panel weight **25 kg**
For door thickness **16 - 30 mm**
Max. door width **1200 mm**
Max. door height **2000 mm**
- Rails and fixing screws must be ordered separately**

For ancillary door hardware i.e. locks, handles and bolts etc. refer to page 19

The fitting set can also be used for frameless glass panels with no drilling required; glue fix spacer plate F to glass panel instead of using Varianta mounting screw. Glue shown on page 97. See also page 97 for other accessories

A Running rail

Clip mounted onto fixing clips. Anodized aluminium

Length	2.5 m	3.5 m
Cat. No.	405.60.025	405.60.035

Order qty: 1 pc (2.5 or 3.5 m length)

B Guide rail

Clip mounted onto fixing clips. Anodised aluminium

Length	2.5 m	3.5 m
Cat. No.	405.61.025	405.61.035

Order qty: 1 pc (2.5 or 3.5 m length)

Regal-B 25 fitting set

- C Rail stopper.** With retaining spring. For clip on running rail and guide rail. Grey plastic
- D Running gear.** For door panels up to 25 kg per pair. Friction bearing. Silver chromated steel
- E Connecting spacer plate.** For joining running gear and guide to panel. Bright zinc alloy
- F Top or bottom guide.** Silver chromated steel
- G End cap.** For running and guide rail. Grey plastic
- H Fixing clip,** for securing rails to carcase. For mounting at 200 mm intervals. Grey plastic
- I Securing clip with bolt.** Prevents clip on rails from sliding sideways. Galvanized steel
- J Mounting jig,** for mounting fixing clips. Grey plastic

Fixings and installation instructions included

Fitting set	for single wooden panel	
C Rail stopper	4 pcs	
D Running gear	2 pcs	
E Connecting plate	4 pcs	
F Guide	2 pcs	
G End cap	4 pcs	
H Fixing clip	14 pcs	
I Securing clip	4 pcs	
J Mounting jig	1 pc	
Cat. No.	405.55.212	

Order qty: 1 set (order 1 set per door)

K M4 x 8 mm screws

For connecting running gear and guide to connecting plate. Hardened steel. **Order separately**

Cat. No.	405.68.908
----------	------------

Order qty: 1 pc

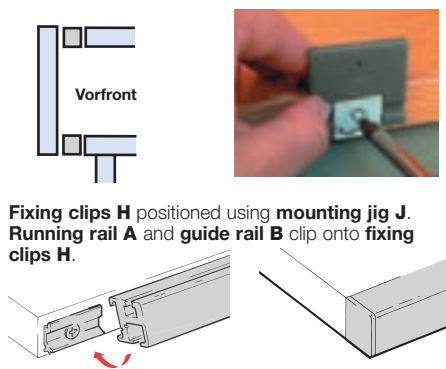
L Varianta chipboard mounting screws

For mounting connecting plate to panel. Cylindrical head $\varnothing 5.0$ mm. Nickel-plated steel.

Order separately

Length	10.5 mm	13.5 mm	16 mm
Cat. No.	013.15.715	013.15.724	013.15.733

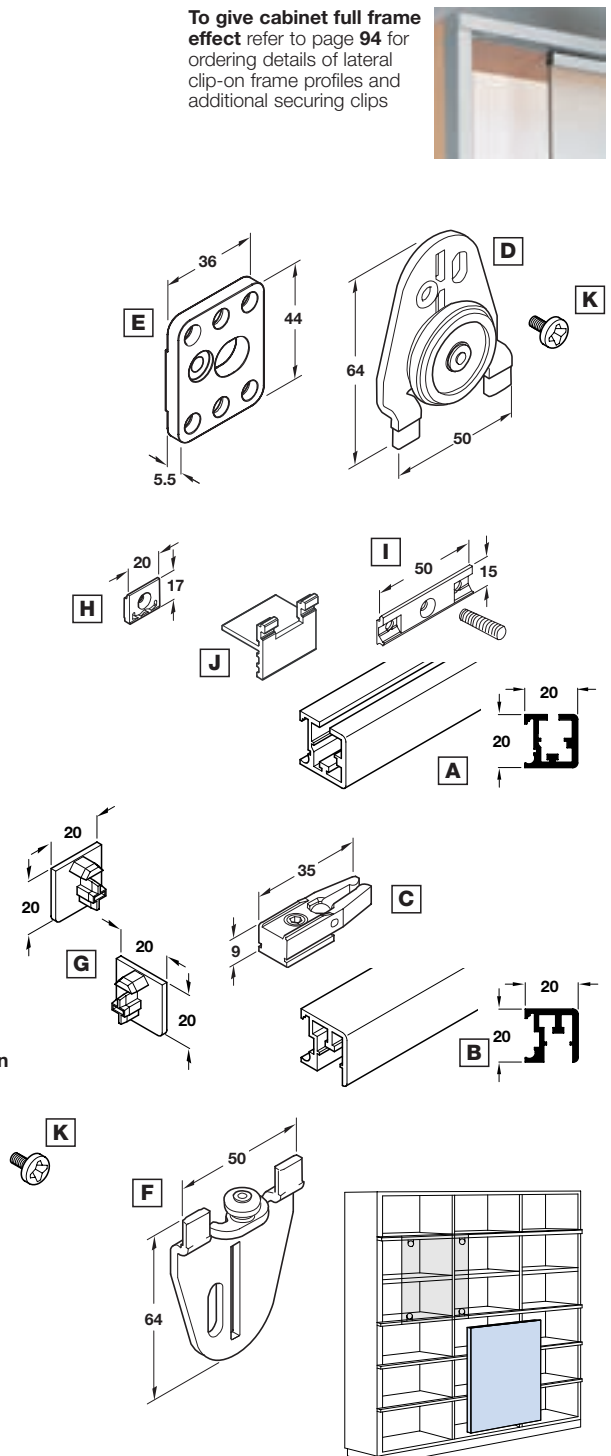
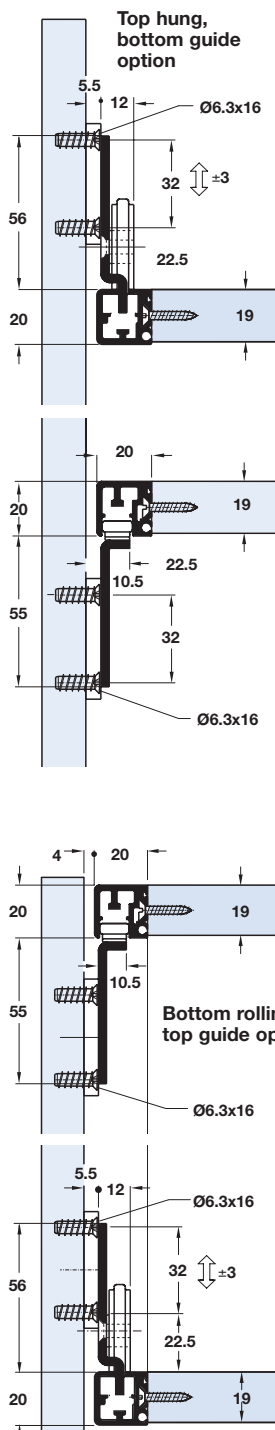
Order qty: Multiples of 100 pcs



Fixing clips H positioned using mounting jig J. Running rail A and guide rail B clip onto fixing clips H.



To give cabinet full frame effect refer to page 94 for ordering details of lateral clip-on frame profiles and additional securing clips



Doors can be fitted individually to shelving units