

Fittings for Straight Sliding Timber Cabinet Doors

EKU Clipo 35 H Infront, Boss or Groove Housings

- Application:** Quality furniture where heavy duty bi-passing wardrobe sliding doors are required
- Features:** Running gear will either clip on back fixing suspension fitting or concealed fixing top housing suspension fitting. Height adjustment ± 2 mm. Spring loaded rattle proof bottom guide
- Range:** Max. door weight **35 kg**
Door thickness **19 mm - 26 mm**
Max. door height **2400 mm**
Max. door width **1000 mm**
- Top tracks and lower profiles are not included in the fittings sets and must be ordered separately**

For ancillary door hardware i.e. locks, handles and bolts etc. refer to page 19

A Single top track

With screw holes for soffit fixing. For min. 30 mm thick upper carcass. Bright aluminium

Length	2.5 m	3.5 m
Cat. No.	405.00.250	405.00.350

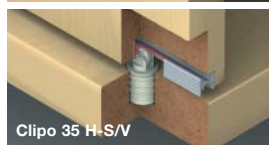
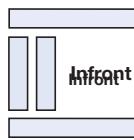
Order qty: 1 pc (2.5 or 3.5 m length)

Clipo 35 H fitting sets

- 35 H-S back fixing** or **35 H-V top fixing** fitting sets available
- B Top track end piece.** Cap to support ends of track. Grey plastic
- C Track stopper,** with retaining spring. Grey plastic
- D Running gear.** For use with clip fixing or groove mounting suspension fitting. For door panels up to 35 kg. 4 rollers with friction bearings. Vertical adjustment ± 2 mm. Bright zinc alloy
- E Suspension fitting.** Clip fixing. With mounting screw for fitting to running gear **D**. Bright zinc alloy
- F Housing.** Screw fixing. For use with suspension fitting **E**. Anthracite plastic
- G Suspension fitting.** Groove mounting. With mounting screw for fitting to running gear **D**. For lateral insertion into housing **H**. Bright zinc alloy
- H Housing.** Screw fixing. For use with suspension fitting **G**, for groove mounting in front edge of panel. Bright aluminium
- I Bottom roller guide.** Spring loaded. For mounting in drilled holes. Grey plastic
- J Rubber buffer.** Black rubber

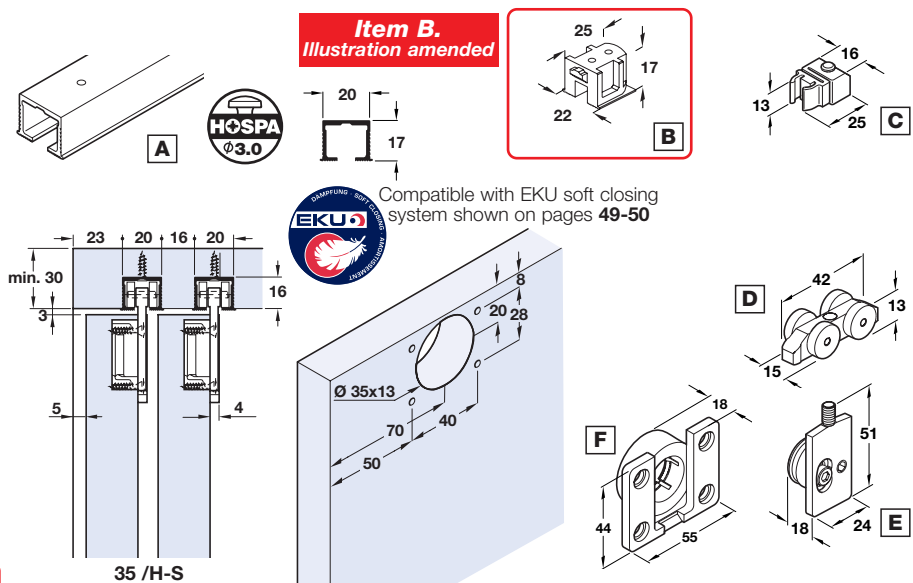
35 H-S fitting sets, back fixing		
	for 2 doors	for 3 doors
C Track stopper	4 pcs	4 pcs
D Running gear	4 pcs	6 pcs
E Suspension fitting	4 pcs	6 pcs
F Housing, boss-type	4 pcs	6 pcs
I Bottom roller guide	2 pcs	3 pcs
J Rubber buffer	-	2 pcs
Cat. No.	405.06.001	405.06.003
35 H-V fitting sets, top fixing		
	for 2 doors	
C Track stopper	4 pcs	
D Running gear	4 pcs	
G Suspension fitting	4 pcs	
H Housing, groove	4 pcs	
I Bottom roller guide	2 pcs	
Cat. No.	405.06.002	

Order qty: 1 set (order 1 set per 2 or 3 door application)

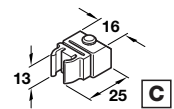
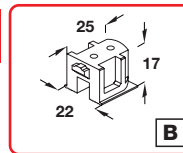


Top track groove mounted
Groove mounted or recess mounted housings

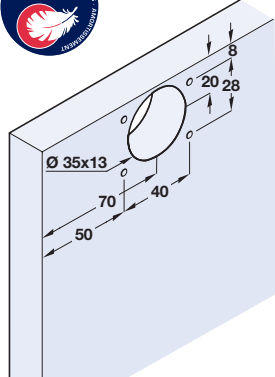
Lower profile glue mounted and recessed in door



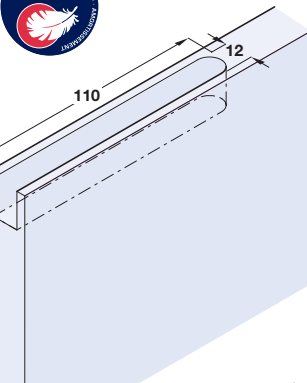
Item B.
Illustration amended



Compatible with EKU soft closing system shown on pages 49-50



Compatible with EKU soft closing system shown on pages 49-50



K Lower guide profile

For glue mounting. Bright aluminium

Length	2.5 m	3.5 m
Cat. No.	405.04.250	405.04.350

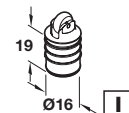
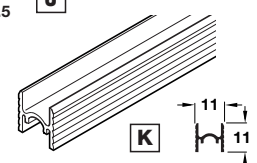
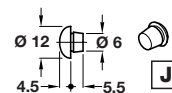
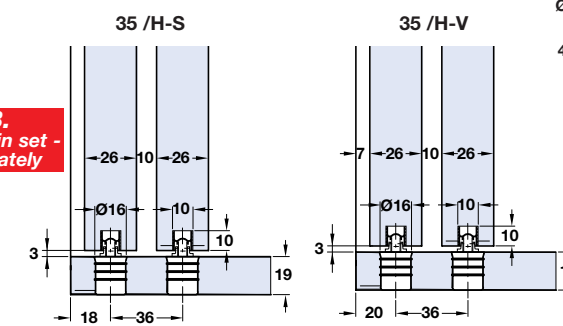
Order qty: 1 pc (2.5 or 3.5 m length)

Additional items available to order

Item	Cat. No.
B Top track end piece	405.00.070*
C Track stopper	405.00.050
I Bottom roller guide	405.04.040

Order qty: 1 pc (*4 pcs required per 2 or 3 door application)

Item B.
Not included in set - order separately



01.07.10/2*