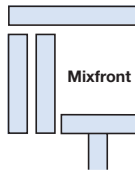


# Fittings for Straight Sliding Timber Cabinet Doors

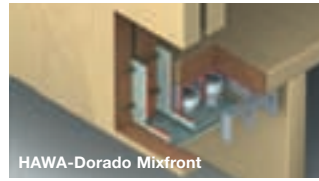
## HAWA-Dorado Mixfront



- **Application:** Top quality joinery and furniture where robust concealed bottom control required
- **Range:** Max. door weight **40 kg**  
Door thickness **19 to 25 mm only**
- For **19-22 mm** thick doors use double track **A**
- For **23-25 mm** thick doors, two single top tracks **C** should be installed side by side
- For **multiple door layouts**, order as follows:  
**4 doors:** 2 sets of 2 door fittings  
**5 doors:** 1 set each of 2 and 3 door fittings
- **Tracks and channels are not included in the fitting sets and must be ordered separately**
- **Each fitting set comes complete with installation drawing ref. 17658, available separately on request**



Top track surface mounted  
Guide channel surface mounted  
With screw fixing running gear



For ancillary door hardware i.e. locks, handles and bolts etc. refer to page 19

### A Double top track

Pre-drilled for mounting screws. Silver anodised aluminium

Length	2.5 m	3.5 m
Cat. No.	406.71.912	406.71.921

Order qty: 1 pc (2.5 or 3.5 m length)

### B Double bottom guide channel

Pre-drilled for mounting screws. Silver anodised aluminium

Length	2.5 m	3.5 m
Cat. No.	406.72.919	406.72.928

Order qty: 1 pc (2.5 or 3.5 m length)

### C Junior 40 single top track

Alternative to top track A for 23-25 mm thick doors, two single tracks to be installed side by side. Pre-drilled for mounting screws. Silver anodised aluminium

Length	3.0 m
Cat. No.	940.40.300

Order qty: 1 pc (3.0 m length)

### HAWA- Dorado Mixfront fitting sets

**D Trolley hanger with back fixing plate**, for inner and outer doors. For door weights up to **40 kg**. Vertically adjustable  $\pm 3$  mm. Two white plastic friction bearing mounted tandem runner assemblies. Nickel-plated, zinc alloy back fixing bearer plate

**E Track stopper**, for inner and outer doors. Adjustable in double track. Adjustable steel spring and retainer. Bright zinc alloy

**F Allen key**, steel. For use to secure stopper E in twin track

**G Guide**, for outer doors. Adjustable plastic guide roller. Screw fixing. Galvanized steel

**H Guide**, for inner doors. Plastic guide roller. Screw fixing. Galvanized steel

**I Guide stopper**. For installation in guide channel. Adjustable. Bright aluminium

**J Rubber buffer**. Recess mounted in edge of door. Light grey rubber

Fixing materials included

Fitting sets for	2 doors	3 doors
<b>D</b> Trolley hanger R/H	2 pcs	3 pcs
Trolley hanger L/H	2 pcs	3 pcs
<b>E</b> Track stopper	4 pcs	4 pcs
<b>F</b> Allen key	1 pc	1 pc
<b>G</b> Guide, for outer door	2 pcs	2 pcs
<b>H</b> Guide, for inner door	2 pcs	4 pcs
<b>I</b> Guide stopper	4 pcs	4 pcs
<b>J</b> Rubber buffer	2 pcs	2 pcs
Cat. No.	406.70.022	406.70.031

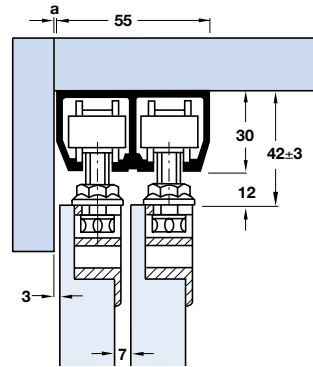
Order qty: 1 set (order 1 set per 2 or 3 door application)

### K Centre door stopper

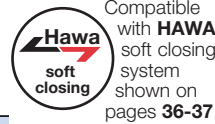
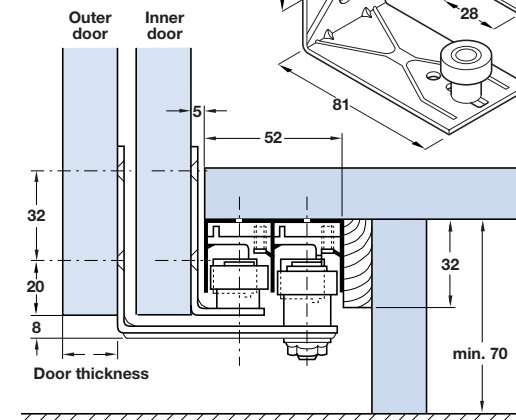
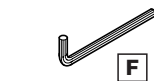
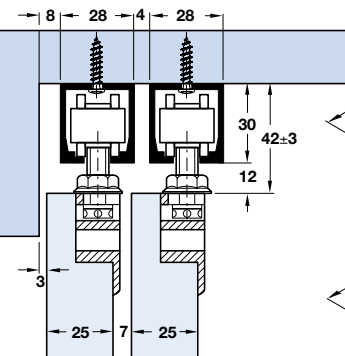
For use with HAWA Dorado Mixfront fitting sets, for 3 door applications. Allows outer door to slide in either direction, left or right. White plastic.

Cat. No.	406.70.970
----------	------------

Order qty: 1 pc (order 1 pc per 3 door application)



Door thickness	19 mm 22 mm
Dim. a	1.5 mm 6 mm



Compatible with HAWA soft closing system shown on pages 36-37

