

- Application:** Top quality joinery and furniture
- Range:** Max. door weight **40 kg**
Door thickness **19 to 22 mm**
- For 23 mm or thicker doors**, two single top tracks **C** should be installed side by side
- For multiple door layouts**, order as follows:
4 doors: 2 sets of 2 door fittings
5 doors: 1 set each 2 and 3 door fittings
- Tracks and profiles are not included in the fitting sets and must be ordered separately**
- Each fitting set comes complete with installation drawing **ref.17659**, available separately on request

A Double top track

- Pre-drilled for mounting screws. Silver anodised aluminium

Length	2.5 m	3.5 m
Cat. No.	406.71.912	406.71.921

Order qty: 1 pc (2.5 or 3.5 m length)

B Lower guide profile

Press-fits into groove in underside of door, brown plastic

Length	3.0 m
Cat. No.	406.73.103

Order qty: 1 pc (3.0 m length)

Standard set; double top track A and profile B

Available packed together in standard sets:

Length	1.5 m	2.0 m	2.5 m
Cat. No.	406.71.010	406.71.029	406.71.038

Order qty: 1 set (1.5, 2.0 or 2.5 m lengths)

C Junior 40 single top track

Alternative to top track **A** for 23+ mm thick doors, two single tracks to be installed side by side. Pre-drilled for mounting screws. Silver anodised aluminium

Length	3.0 m
Cat. No.	940.40.300

Order qty: 1 pc (3.0 m length)

HAWA-Dorado Infront fitting sets

D Trolley hanger with back fixing plate, for inner and outer doors. For door weights upto **40 kg**. Vertically adjustable ± 3 mm. Two white plastic friction bearing mounted tandem runner assemblies. Nickel-plated, zinc alloy back fixing bearer plate

E Track stopper, for inner and outer doors.

Adjustable in double track. Adjustable steel spring and retainer. Bright zinc alloy

F Allen key, steel. For use to secure track stopper **E** in twin track

G Twin guide, for inner and outer doors. Screw mounted in $\varnothing 35$ mm recess in cupboard floor. Brown plastic

H Single guide, for inner doors. Screw mounted in $\varnothing 35$ mm recess in cupboard floor. Brown plastic

I Rubber buffer, recess mounted in edge of door. Light grey rubber

Fixing materials included

Fitting sets for	2 doors	3 doors
D Trolley hanger R/H	2 pcs	3 pcs
Trolley hanger L/H	2 pcs	3 pcs
E Track stopper	4 pcs	4 pcs
F Allen key	1 pc	1 pc
G Twin guide	1 pc	1 pc
H Single guide	-	1 pc
I Rubber buffer	2 pcs	2 pcs
Cat. No.	406.70.120	406.70.139

Order qty: 1 set (order 1 set per 2 or 3 door application)

G Replacement twin guide

Cat. No.	406.70.920
----------	------------

Order qty: 1 pc (order 1 pc per pair of doors)

H Replacement single guide

Cat. No.	406.70.921
----------	------------

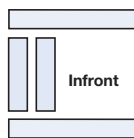
Order qty: 1 pc (order 1 pc per door)

J Bottom guide, heavier duty

For where a more robust guide is preferred, clear threshold. Black plastic

Cat. No.	940.40.031
----------	------------

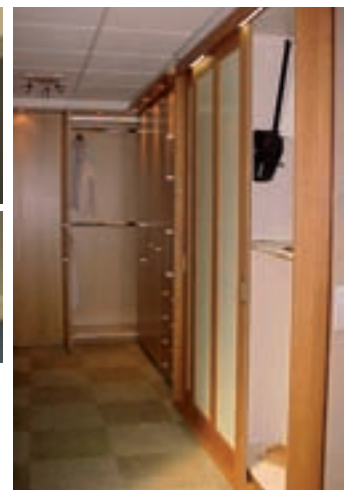
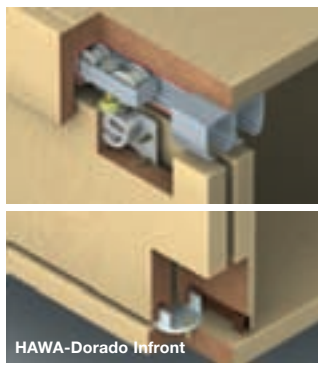
Order qty: 1 pc (order 1 pc per door)



Top track surface mounted

Lower profile mounted in door

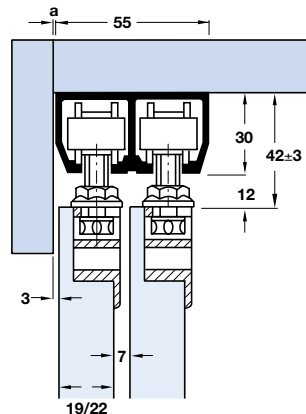
With screw fixing trolley hangers



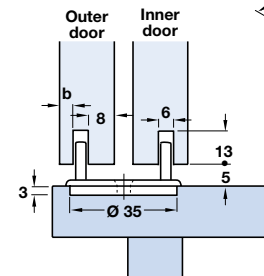
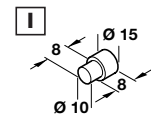
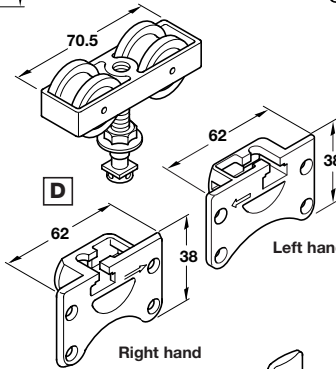
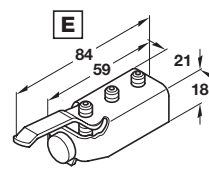
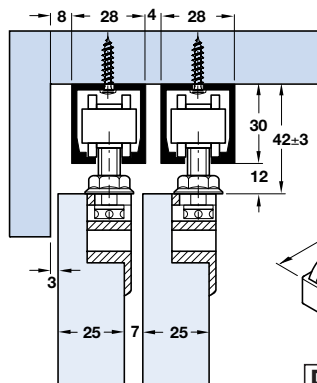
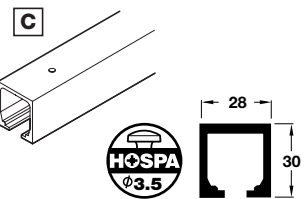
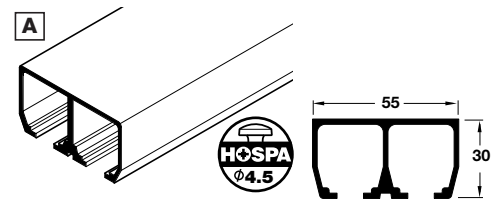
HAWA-Dorado Infront



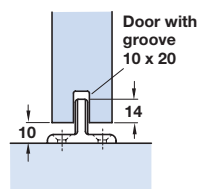
Compatible with **HAWA** soft closing system shown on pages **36-37**



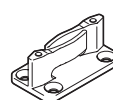
Door thickness	19 mm	22 mm
Dim. a	1.5 mm	6 mm



Door thickness	19 mm	22 mm	25 mm
Dim. b	5 mm	8 mm	11 mm



Bottom guide **J** does not require lower profile **B**



For ancillary door hardware i.e. locks, handles and bolts etc. refer to page 19