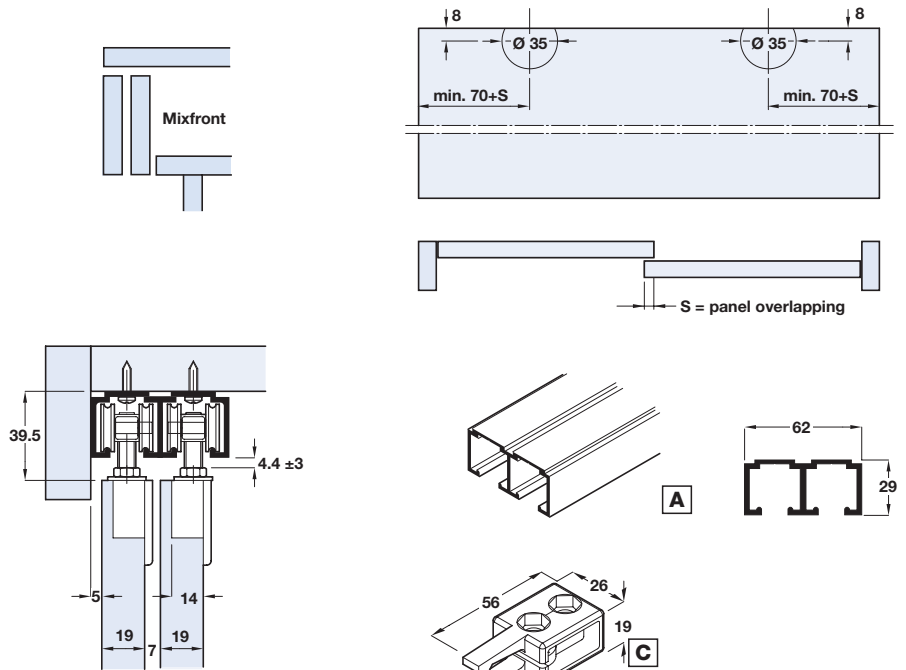


# Fittings for Straight Sliding Timber Cabinet Doors

## Häfele System 10 Mixfront

- Application:** Straight sliding top hung half overlay cupboard doors, for budget domestic and light commercial use
- Range**  
Max. door weight **50 or 80 kg**  
Door thickness **19 to 32 mm**
- Order fitting sets for inner and outer doors separately
- System 10 fitting set for 1 inner door** comprises fittings **C, D or E, F and H**
- System 10 fitting set for 1 outer door** comprises fittings **C, D or E, G, and H**
- Fixing materials are included in the sets
- Tracks and channels are not included in the fitting sets and must be ordered separately**
- Note:** For double doors more than 19 mm thick use two single top tracks instead of double track
- For ancillary door hardware i.e. locks, handles and bolts refer to page 19**



### A Double top track

Pre-drilled for screw mounting. Silver anodised aluminium

Length	Cat. No.
3.0 m	401.18.930

Order qty: 1 pc

### B Single top track

Pre-drilled for screw mounting. Silver anodised aluminium

Length	Cat. No.
3.0 m	401.17.930

Order qty: 1 pc

### Häfele System 10 Mixfront fitting set

**C Track stopper.** For top track, reversible buffer. Adjustable retaining force. Black plastic.

**D Trolley hanger,** for inner or outer doors  
For door weights up to **50 kg**

Nickel plated zinc alloy with **two** ball bearing mounted nylon rollers. Screw fixing, adjustable

**E Trolley hanger,** for inner or outer doors

For door weights up to **80 kg**

Nickel plated zinc alloy with **four** ball bearing mounted nylon rollers. Screw fixing, adjustable

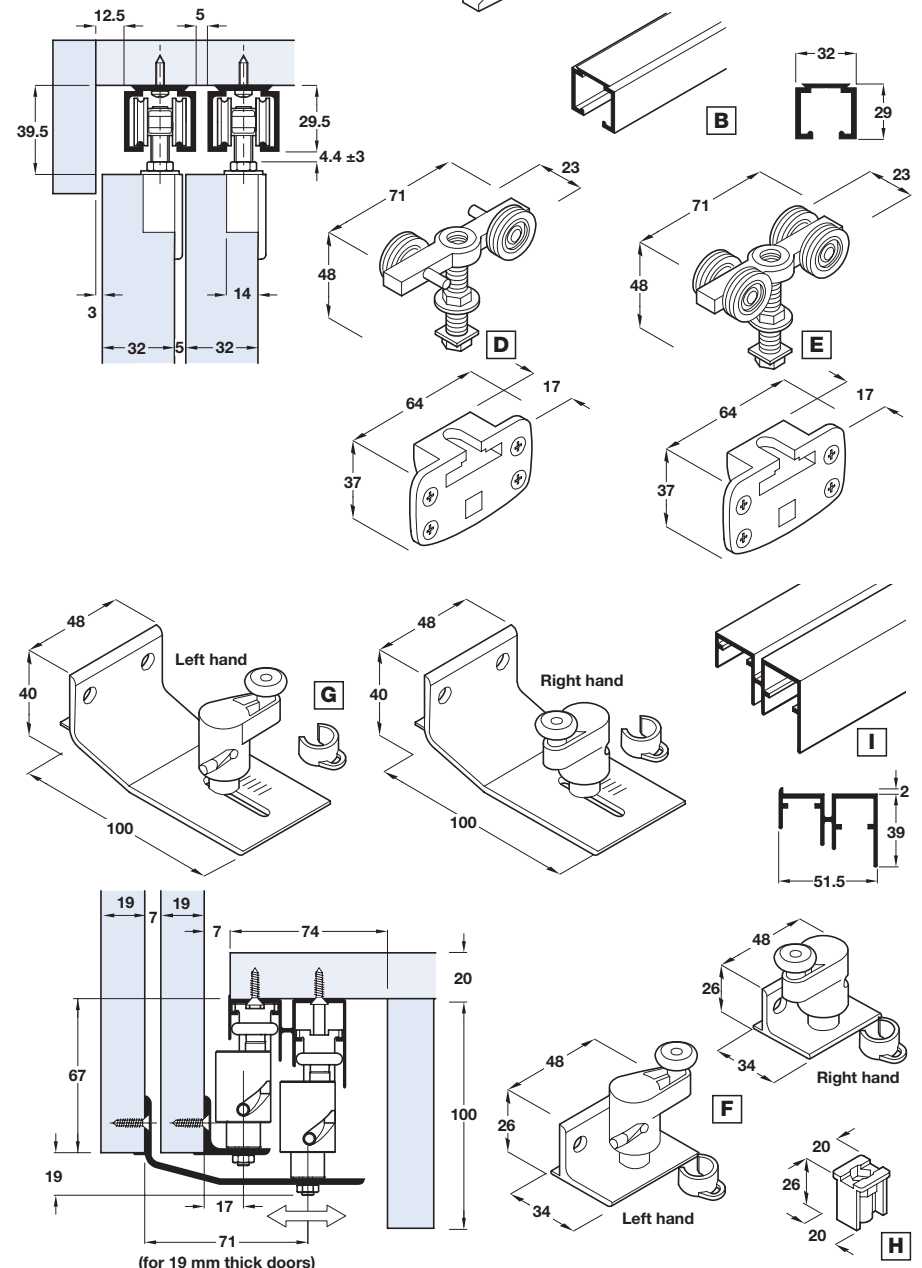
**F Guide,** for inner door. Screw fixing. Zinc alloy base plate with nylon roller, black plastic mechanism. Left and right handed.

**G Guide,** for outer door. Screw fixing. Zinc alloy base plate with nylon roller, black plastic mechanism. Left and right handed.

**H Guide stopper,** For bottom guide channel. Black plastic.

Fitting set for	inner door	outer door
<b>C</b> Track stopper	2 pcs	2 pcs
<b>D/E</b> Trolley hanger	2 pcs	2 pcs
<b>F</b> Guide, inner door	1 pair	-
<b>G</b> Guide, outer door	-	1 pair
<b>H</b> Guide stopper	2 pcs	2 pcs
Door weights	Cat. No.	
Up to <b>50 kg</b>	401.19.002	401.19.003
Up to <b>80 kg</b>	401.19.004	401.19.005

Order qty: 1 set



### I Double bottom guide channel

Pre-drilled for mounting screws. Silver anodised aluminium

Length	Cat. No.
3.0 m	401.25.930

Order qty: 1 pc (3.0 m length)