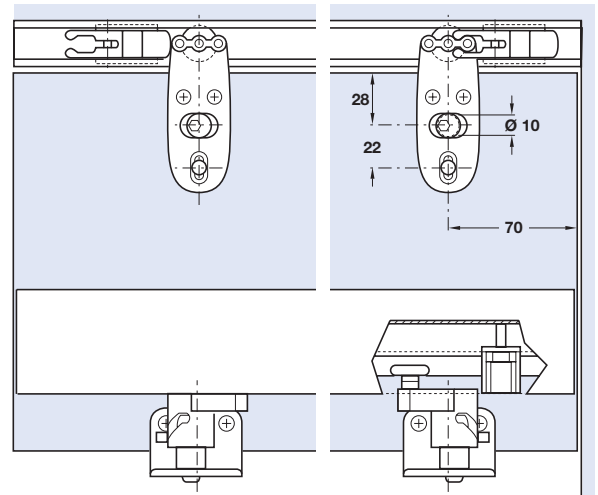
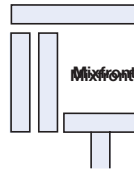


Fittings for Straight Sliding Timber Cabinet Doors

Hafele System 4 Mixfront

- **Application:** Straight sliding top hung half overlay cupboard doors, for budget domestic or medium-duty commercial furniture
- **Range**
Max. door weight **20 kg**
Door thickness **20 to 25 mm**
- Order fitting sets for inner and outer doors separately
- **System 4 fitting set for 1 inner door** comprises fittings **B, C, D** and **F**
- **System 4 fitting set for 1 outer door** comprises fittings **B, C, E,** and **F**
- Fixing materials are included in the sets
- **Tracks and channels are not included in the fitting sets and must be ordered separately**
- **For ancillary door hardware ie. locks, handles and bolts refer to page 19**



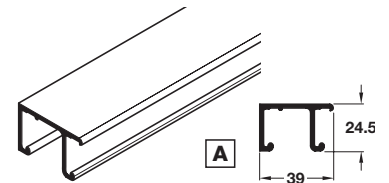
Item A.
Text removed

A Double top track

Silver anodised aluminium

Length	Cat. No.
3.0 m	401.24.930

Order qty: 1 pc (3.0 m length)



Häfele System 4 fitting sets

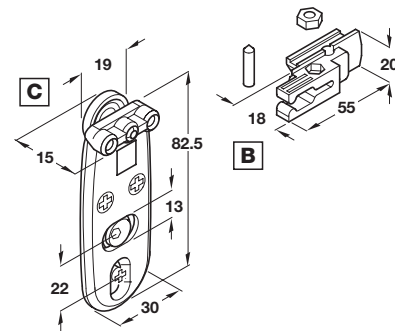
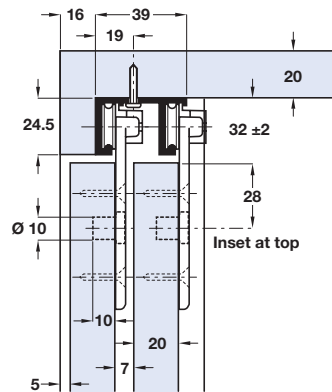
B Track stopper. For top track, reversible buffer. Adjustable retaining force. Black plastic

C Running gear. Screw fixing, adjustable. Nickel plated zinc alloy with ball bearing mounted nylon roller

D Guide, for inner door. Screw fixing. Zinc alloy base plate with nylon roller, black plastic mechanism

E Guide, for outer door. Screw fixing. Zinc alloy base plate with nylon roller, black plastic mechanism

F Guide stopper. For bottom guide channel. Black plastic



Fitting set for	inner door	outer door
B Track stopper	2 pcs	2 pcs
C Running gear	2 pcs	2 pcs
D Guide, inner door	2 pcs	-
E Guide, outer door	-	2 pcs
F Guide stopper	2 pcs	2 pcs
Cat. No.	401.20.003	401.20.004

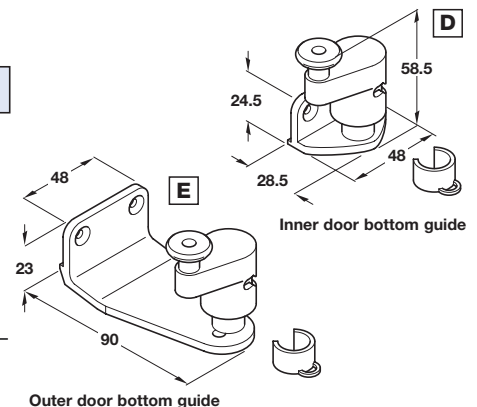
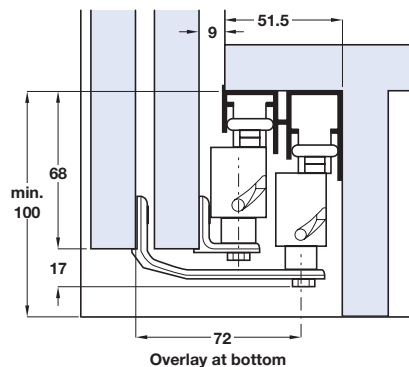
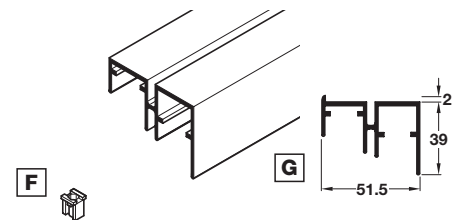
Order qty: 1 set (order 1 set for inner door and 1 set for outer door)

G Double bottom guide channel

Pre-drilled for mounting screws. Silver anodised aluminium

Length	Cat. No.
3.0 m	401.25.930

Order qty: 1 pc (3.0 m length)



TCH-AI 2008, HUK. Dimensional data not binding. We reserve the right to alter specifications without notice.

24.06.10/1*