

# Fittings for Straight Sliding Timber Cabinet Doors

## Hafele System 3 Infront

• **Application:** Straight sliding top hung inset cupboard doors, for budget, domestic or medium-duty commercial furniture

• **Range**

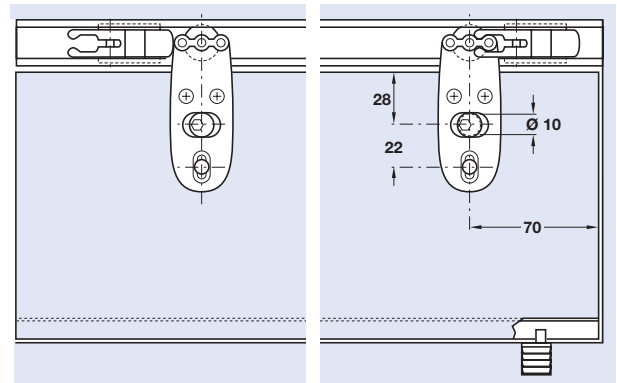
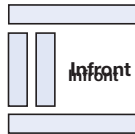
Max. door weight **20 kg**  
Door thickness **20 mm only**

• **System 3 fitting set for 2 doors** comprises fittings **B**, **C** and **D**

• Fixing materials are included in the sets

• **Tracks and profiles are not included in the fitting sets and must be ordered separately**

• **For ancillary door hardware ie. locks, handles and bolts etc. refer to page 19**

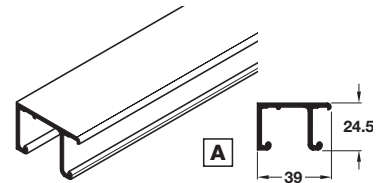


**A Double top track**  
Silver anodised aluminium

**Item A.**  
Text removed  
'Pre drilled for screw mounting'

Length	Cat. No.
3.0 m	401.24.930

Order qty: 1 pc (3.0 m length)



**Hafele System 3 Infront fitting set**

**B Track stopper.** For top track, reversible buffer. Adjustable retaining force. Black plastic

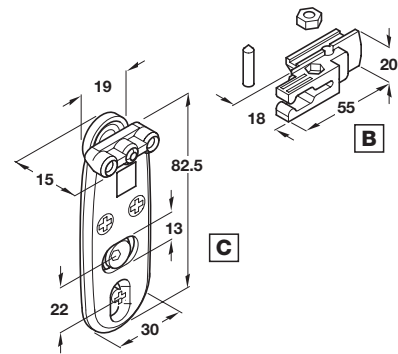
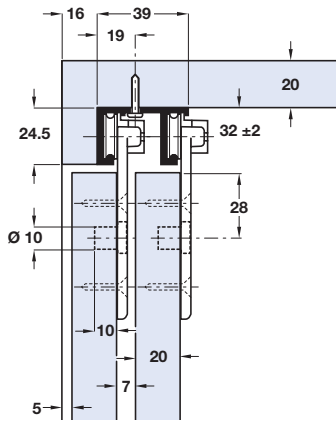
**C Running gear.** Screw fixing, adjustable. Nickel plated zinc alloy with ball bearing mounted nylon roller

**D Bottom guide.** Press-fit. Nickel plated zinc alloy

**For 2 doors**

<b>B</b> Track stopper	<b>3</b> pcs
<b>C</b> Running gear	<b>4</b> pcs
<b>D</b> Bottom guide	<b>2</b> pcs
Cat. No.	401.20.002

Order qty: 1 set (order 1 set per pair of doors)



**E Bottom guide profile**

Off-white nylon

Length	Cat. No.
2.0 m	401.22.720

Order qty: 1 pc (2.0 m length)

