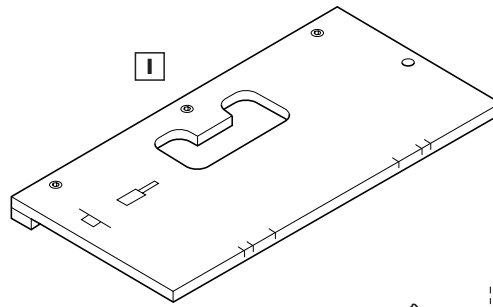


I Drilling template

For guides and suspension unit

Cat. No.	409.50.990
----------	------------

Order qty: 1 pc

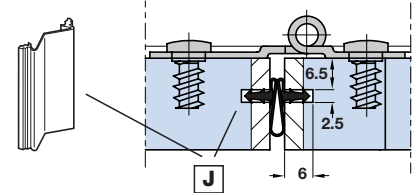
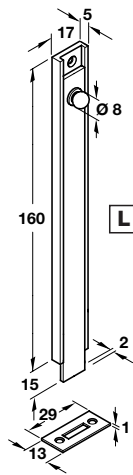


J Sealing profile strip

For panel to panel gap. Press fits into 2.5 mm groove. 5.0 m length. Rubber

Finish	White	Black
Cat. No.	409.54.700	409.54.300

Order qty: 1 roll (5.0 m length)

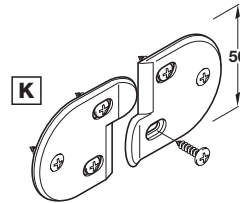


K Panel interlocking fitting

Included in fitting set, also available separately. Black plastic

Cat. No.	409.50.940
----------	------------

Order qty: 1 pair



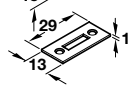
Optional extras:

L Knob slide surface bolt

Surface or semi-recessed fixing, to bottom of door. Straight and angled keepers included. Brass

Finish	Polished brass	Satin nickel-plated
Cat. No.	900.17.945	900.17.946

Order qty: 1 pc



M Frame to panel concealed hinges and mounting plates:

For inset doors:

Hinge, 110° opening angle. 8 mm crank, sprung. Slide on arm. Ø 35 mm cup, screw fixing. Nickel-plated pressed steel

Mounting plate, 8 mm height. For slide on arms. Screw fixing. Nickel-plated zinc alloy and pressed steel

For overlay doors:

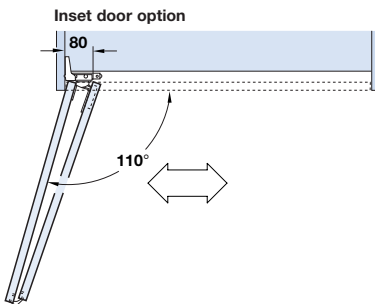
Hinge, 110° opening angle. 0 mm crank, sprung. Slide on arm. Ø 35 mm cup, screw fixing. Nickel-plated pressed steel

Mounting plate, 0 mm height. For slide on arms. Screw fixing. Nickel-plated zinc alloy and pressed steel

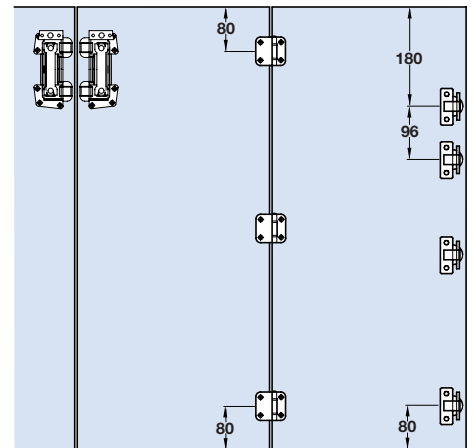
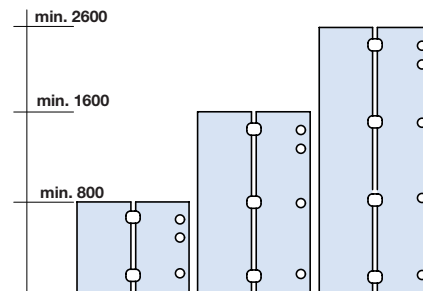
Refer to The Complete Häfele catalogue for Furniture and Hardware Fittings for further information on hinges and mounting plates

For inset doors		Cat. No.
Hinge		323.17.516
Mounting plate		323.85.783
For overlay doors		Cat. No.
Hinge		323.17.507
Mounting plate		323.80.706

Order qty: 1 pc



Position of hinges



N Espagnolette lock set

Rim-type, double locking. Kaba 8 cylinder

Set comprises:

Polished nickel-plated steel cylinder, matt nickel plated steel lock case

Polished nickel-plated steel profile rod, 10 x 3 mm

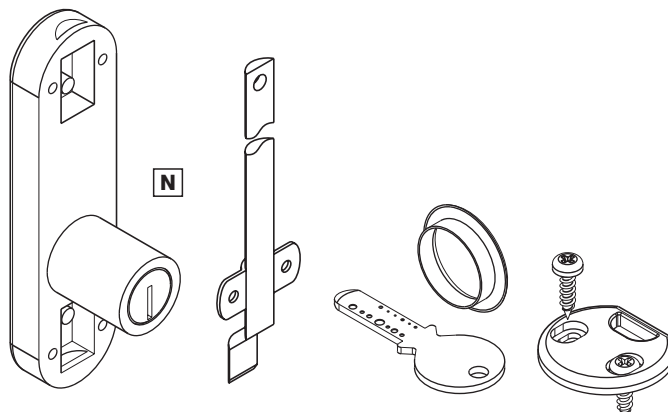
Polished nickel-plated steel rod guides, 2 x 1.5 mm

Black plastic rod striking-plate, screw fixing

Accessories: 2 keys and cylinder rosette included

Direction of key turn:	Cat. No.
Left	231.47.980
Right	231.47.990

Order qty: 1 set



TCH-A1 2008, HUK. Dimensional data not binding. We reserve the right to alter specifications without notice.