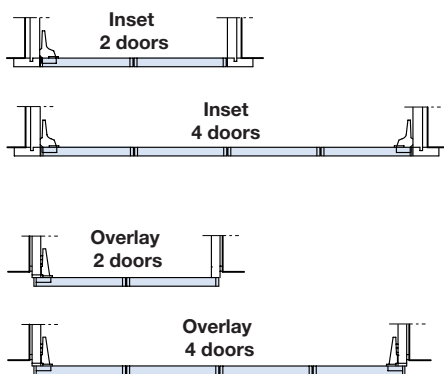


- **Application:** High quality top hung residential and commercial applications where clear threshold without floor channel is essential e.g. walk-in wardrobes
- **Range:**
 - Max. panel weight **30 kg**
 - Max. panel height **2.6 m**
 - Panel width sizes between **200 - 500 mm**
 - Panel thickness **19 -25 mm**
- **Components accommodate either overlay (Vorfront) or inset (Infront) doors**
- **For ancillary door fittings, handles, hinges and locks etc. refer to page 115**

Configuration examples



Multifold 30W fitting set

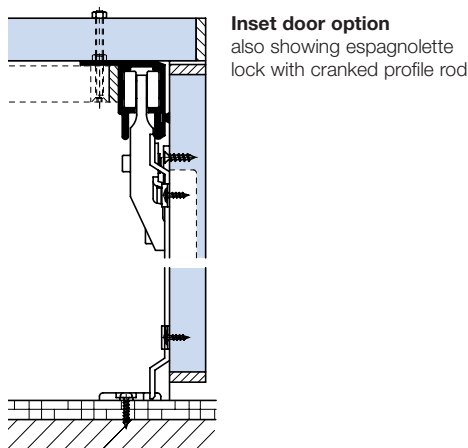
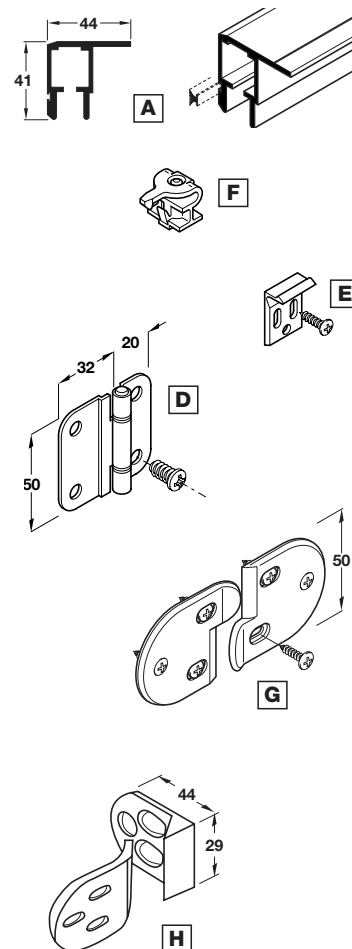
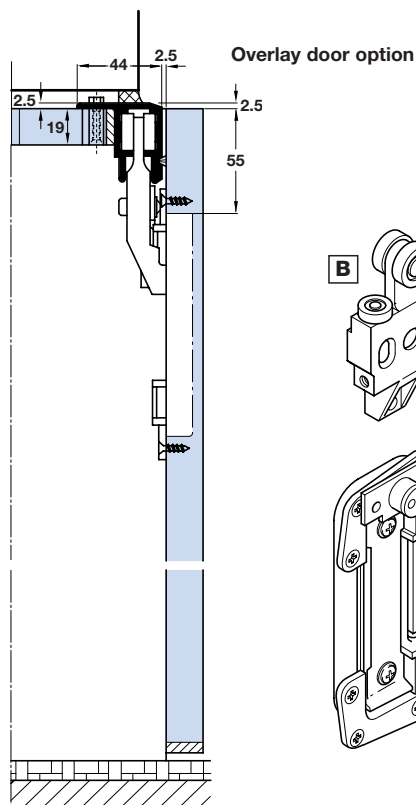
- A Top track.** 1.1 m length. With screw holes and brush seal. Anodised aluminium
 - B Trolley hanger.** Steel with stabilising rollers
 - C Suspension unit.** Black/nickel plated
 - D Panel to panel hinge.** Matt nickel-plated steel
 - E Door catch.** Black plastic
 - F Track stopper/retainer.** Black plastic
 - G Interlocking fitting.** To stabilise centre joint of 4 door applications. Black plastic
 - H Surface equalizer.** For side wall. Black plastic
- Fixing screws and full mounting and drilling instructions included**

Fitting sets for two folding panels	
A Top track	1.1 m
B Trolley hanger	1 pc
C Suspension unit	1 pc
D Centre hinge	4 pcs
E Door catch	1 pc
F Track stopper	1 pc
G Interlocking fitting	1 pair
H Surface equalizer	1 pc
Cat. No.	409.52.050

Order qty: 1 set

D Additional centre hinge	
Cat. No.	409.32.690
Packing: 1 pc	

- Installation drawing reference **15567** available on request



TCH-A1 2008, HUK. Dimensional data not binding. We reserve the right to alter specifications without notice.