

- **Application** For high quality double folding door applications where a clear threshold is preferred
- **For 2, 4 or 6 panel suites only**
- **Range:** Max. door weight **30 kg**
Max. door width **600 mm**
Max. door height **2.2 m**
Recommended door thickness **26-45 mm**
- **Equal width doors only**
- **Hawa Bifold 30 fittings set for 2 doors** comprises fittings **B to F**. **Fittings set for 4 and 6 doors** also includes bottom guide **G**
- **Tracks and channels are not included in the fitting set and must be ordered separately**
- **For ancillary door fittings, handles, hinges and locks etc. refer to page 115**

A Top track

With screw holes for soffit fixing. Silver anodised aluminium

Length	2.0 m	2.5 m	3.0 m
Cat. No.	940.80.200	940.80.250	940.80.300

Order qty: 1 pc (2.0, 2.5 or 3.0 m length)

Bifold 30 fitting sets, excluding track, channel

B Trolley hanger. Non-corrosive aluminium housing with twin high quality rollers. Zinc plated mounting bracket with M10 pendant bolt

C Upper pivot hinge. Aluminium support plate with 2 hex screws, 6 x 35 mm to fasten into top track **A**. Height and side adjustable, ±2 mm, mounting bracket with steel M10 pivot bolt

D Lower pivot hinge. Aluminium door mounting plate. Adjustable, ±2 mm, aluminium floor mounting plate with steel M8 pivot bolt

E Panel to panel butt hinge. Galvanized steel with plastic bearings. **For light duty applications only:** This light duty hinge is included but we strongly recommend ordering one of the hinges shown below; **I** or **J** for heavier duty applications

F Stop bracket. Galvanized steel with rubber buffer

G Bottom guide. Steel with nylon pilot

Fitting sets for	2 doors	4 doors	6 doors
B Trolley hanger	1 pc	2 pcs	3 pcs
C Upper pivot	1 pc	1 pc	1 pc
D Lower pivot	1 pc	1 pc	1 pc
E Butt hinge	3 pcs	9 pcs	15 pcs
F Stop bracket	1 pc	2 pcs	3 pcs
G Bottom guide	-	2 pcs	3 pcs
Cat. No.	407.58.003	407.58.004	407.58.006

Order qty: 1 set

For use with 4 or 6 door leaf applications:

H Channel, 20 x 20 mm

Pre-drilled for countersunk screws. Anodised aluminium

Length	2.5 m	3.5 m
Cat. No.	940.41.250	940.41.350

Order qty: 1 pc (2.5 or 3.5 m length)

I Stainless steel butt hinge, 102 x 73 mm

Stainless steel washers with spun pin

BS EN 1935 Grade 4	Cat. No.
Satin	921.08.122

Order qty: 1 pc

J Brass butt hinge, 102 x 73 mm

Unwashed with stainless steel pin

Length x width	102 x 73 mm
Bright polished	921.08.024

Order qty: 1 pc

K Knob slide surface bolt, light duty

Surface or semi-recessed fixing. Straight and angled keepers included. Brass

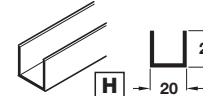
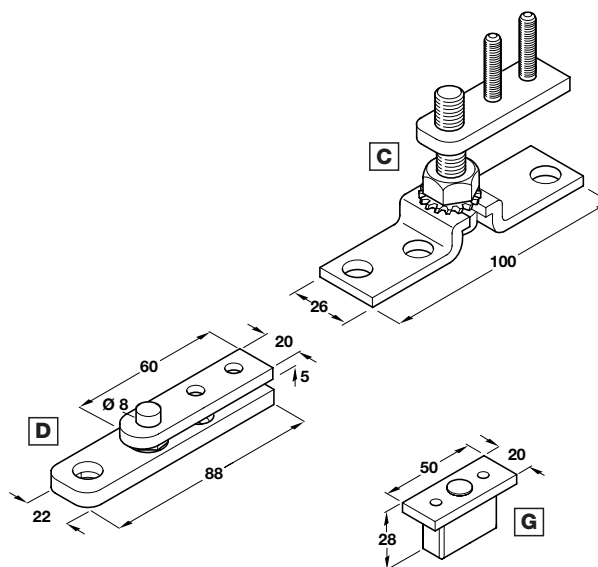
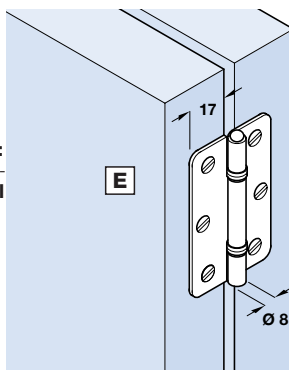
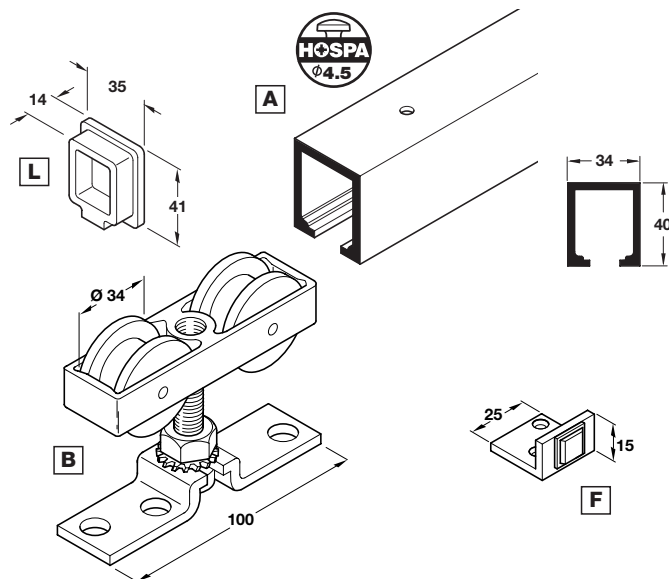
Finish	Polished brass	Satin nickel-plated
Cat. No.	900.17.945	900.17.946

Order qty: 1 pc

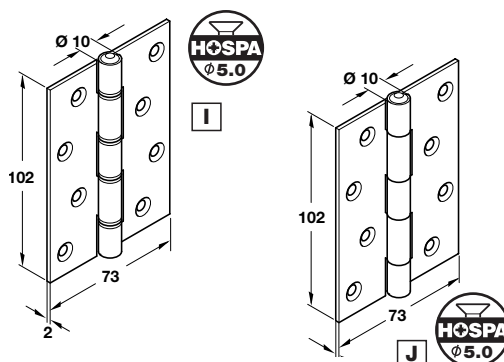
L End cap for top track. Anthracite grey rubber

Cat. No.	940.80.020
----------	------------

Order qty: 1 pc



Optional high specification hinges are available. Foldaside butt hinges for door thickness 40-45 mm:



For heavier duty bolts refer to Section 11

