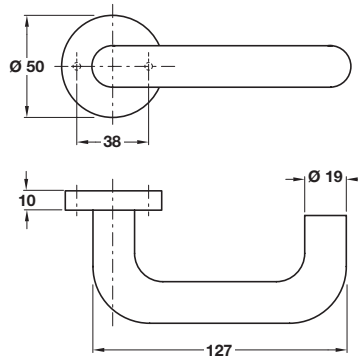


A CADER IDRIS Ø 19 mm safety lever handles

- Pair of lever handles on concealed fixing roses
- Grub screw fixing on 8 mm square spindle
- **Sprung**, for use with **standard duty** followers
- Fixings included
- To suit doors **42-54 mm** thick
- Aluminium
- Matching escutcheons available, see page **212**
- Matching pull handles available, see page **178**
- Spindle type, see page **64**
- For recommended locks, see **Section 2** pages **15-17**

Finish	Cat. No.
Polished anodised	904.20.820

Order qty: 1 pair



Polished anodised finish

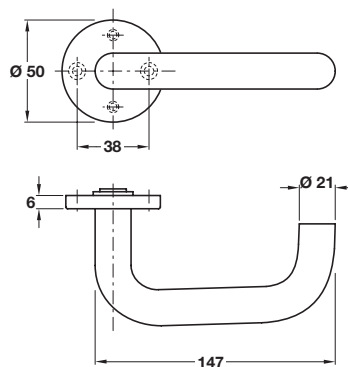


B MALVERN Ø 21 mm safety lever handles

- Pair of lever handles on concealed fixing roses
- Grub screw fixing on 8 mm square spindle
- **Unsprung**, for use with **heavy duty** followers
- Fixings included
- To suit doors **42-54 mm** thick
- Aluminium
- Matching escutcheons available, see page **212**
- Matching pull handles available, see page **178**
- Spindle type, see page **64**
- For recommended locks, see **Section 2** pages **4-14**

Finish	Cat. No.
Polished anodised	904.20.871

Order qty: 1 pair



Polished anodised finish

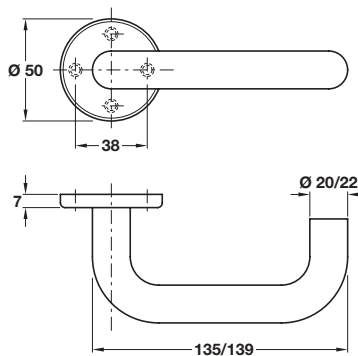


C Ø 20/22 mm safety lever handles

- Pair of lever handles on concealed fixing roses
- Grub screw fixing on 8 mm spindle
- **Sprung** for use with **standard duty** followers
- To suit doors **35-44 mm** thick
- Fixings included
- Aluminium
- Matching escutcheons available, see page **212**
- Spindle type, see page **64**
- For recommended locks, see **Section 2** pages **15-17**

Finish	Ø 20 mm	Ø 22 mm
Satin anodised	904.21.501	904.21.521

Order qty: 1 pair



Satin anodised finish

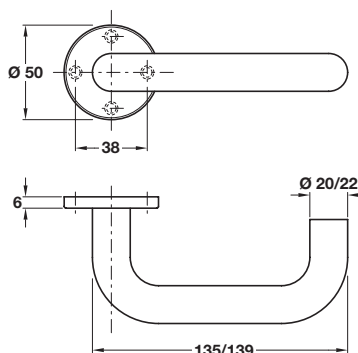


D Ø 20/22 mm safety lever handles

- Pair of lever handles on concealed fixing roses
- Grub screw fixing on 8 mm spindle
- **Unsprung** for use with **heavy duty** followers
- To suit doors **35-44 mm** thick
- Fixings included
- Aluminium
- Matching escutcheons available, see page **212**
- Spindle type, see page **64**
- For recommended locks, see **Section 2** pages **4-14**

Finish	Ø 20 mm	Ø 22 mm
Satin anodised	904.21.511	904.21.531

Order qty: 1 pair



Satin anodised finish

