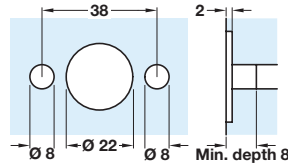


Lever Handles

Stainless Steel StarTec Commercial Range

For all StarTec Commercial lever handles:

Drill two holes Ø 8 mm at 38 mm centres, to a minimum depth of 8 mm, and one Ø 22 mm hole to a depth of 2 mm



Satin stainless steel



StarTec
Commercial

Item A.
78 mm reverted back to 72 mm

DIN EN 1906 - PfB

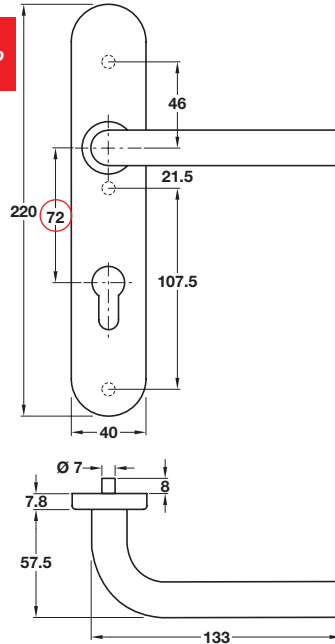


A BODA shaped lever handles, profile cylinder lock

- Pair of lever handles on profile cylinder lock backplates
- Grub screw fixing on 8 mm high-grade alloy steel spindle
- **Sprung**, for use with **standard duty** followers
- Bolt through fixings included
- To suit doors up to **38-47 mm** thick
- 304 stainless steel
- Spindle type, see page **64** for details
- For recommended locks, see **Section 2** pages **15-17**

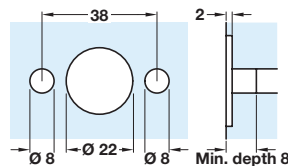
Finish	Cat. No.
Satin stainless steel	902.92.236

Order qty: 1 set



For all StarTec Commercial lever handles:

Drill two holes Ø 8 mm at 38 mm centres, to a minimum depth of 8 mm, and one Ø 22 mm hole to a depth of 2 mm



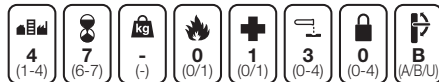
Satin stainless steel



StarTec
Commercial

Item B.
Catalogue shows 72 mm
Correct dimension is 78 mm

DIN EN 1906 - PfB

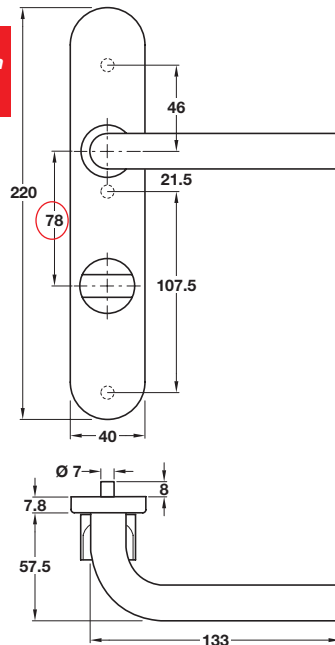


B BODA shaped lever handles, bathroom lock

- Pair of lever handles on bathroom lock backplates
- Grub screw fixing on 8 mm high-grade alloy steel spindle
- **Sprung**, for use with **standard duty** followers
- Bolt through fixings included
- To suit doors up to **38-47 mm** thick
- 304 stainless steel
- Spindle type, see page **64** for details
- For recommended locks, see **Section 2** pages **15-17**

Finish	Cat. No.
Satin stainless steel	902.94.236

Order qty: 1 set



09.12.08/2*