

# Lever Handles

## Stainless Steel StarTec Commercial Range

1



### Stainless Steel Grade 304:

Stainless steel to EN standard No. 1.4301  
ASTM/AISI 304. 18% chromium 8% nickel

#### Spindle type Compatibility rating

<input type="checkbox"/> Plain spindle	★
<input type="checkbox"/> Piercing spindle	★★
<input type="checkbox"/> Slotted spindle	★★★
<input type="checkbox"/> Stabil spindle	★★★★

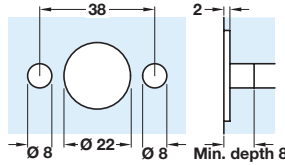
See page 64 for details

For full explanation see page 2

### For all StarTec Commercial lever handles:

Drill two holes Ø 8 mm at 38 mm centres, to a minimum depth of 8 mm, and one Ø 22 mm hole to a depth of 2 mm

#### DIN EN 1906 - PFB



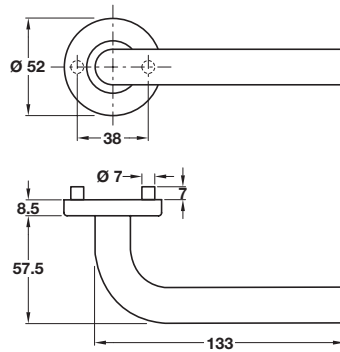
### Satin stainless steel



**StarTec**  
Commercial

### A BODA shaped lever handles

- Pair of lever handles
- Grub screw fixing on 8 mm high-grade alloy steel spindle
- Pair of concealed fixing bolt through roses
- **Sprung**, for use with **standard duty** followers
- Bolt through fixings included
- To suit doors up to **36-45 mm** thick
- 304 stainless steel
- Matching escutcheons available, see page 194
- Spindle type, see page 64 for details
- For recommended locks, see **Section 2** pages 15-17



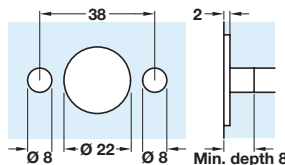
Finish	Cat. No.
Satin stainless steel	902.20.218

Order qty: **1 pair**

**Item A.**  
Catalogue shows... '1 set'  
Correct order qty is '1 pair'

### For all StarTec Commercial lever handles:

Drill two holes Ø 8 mm at 38 mm centres, to a minimum depth of 8 mm, and one Ø 22 mm hole to a depth of 2 mm

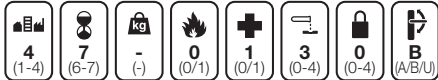


### Satin stainless steel



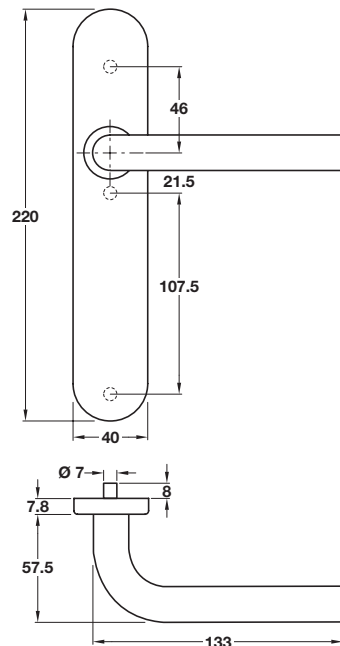
**StarTec**  
Commercial

#### DIN EN 1906 - PFB



### B BODA shaped lever handles, latch

- Pair of lever handles on latch backplates
- Grub screw fixing on 8 mm high-grade alloy steel spindle
- **Sprung**, for use with **standard duty** followers
- Bolt through fixings included
- To suit doors up to **38-47 mm** thick
- 304 stainless steel
- Spindle type, see page 64 for details
- For recommended locks, see **Section 2** pages 15-17



Finish	Cat. No.
Satin stainless steel	902.90.236

Order qty: 1 set

20.07.09/1\*