

Lever Handles

Stainless Steel StarTec Commercial Range

1



Stainless Steel Grade 304:

Stainless steel to EN standard No. 1.4301
ASTM/AISI 304. 18% chromium 8% nickel

Spindle type Compatibility rating

| | |
|-------------------------------------------|------|
| <input type="checkbox"/> Plain spindle | ★ |
| <input type="checkbox"/> Piercing spindle | ★★ |
| <input type="checkbox"/> Slotted spindle | ★★★ |
| <input type="checkbox"/> Stabil spindle | ★★★★ |

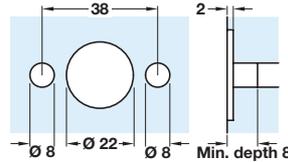
See page 64 for details

For full explanation see page 2

For all StarTec Commercial lever handles:

Drill two holes $\varnothing 8$ mm at 38 mm centres, to a minimum depth of 8 mm, and one $\varnothing 22$ mm hole to a depth of 2 mm

DIN EN 1906 - PFB



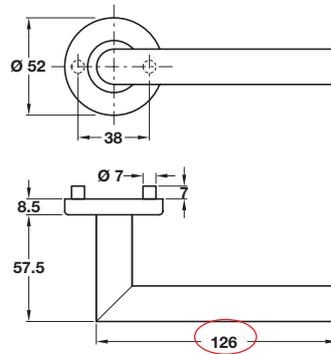
Satin stainless steel



StarTec
Commercial

A TESSA shaped lever handles

- Pair of lever handles
- Grub screw fixing on 8 mm high-grade alloy steel spindle
- Pair of concealed fixing bolt through roses
- **Sprung**, for use with **standard duty** followers
- Bolt through fixings included
- To suit doors up to **36-45 mm** thick
- 304 stainless steel
- Matching escutcheons available, see page 194
- Spindle type, see page 64 for details
- For recommended locks, see **Section 2** pages 15-17



Item A.
Catalogue shows 134.5 mm
Correct dimension is
126 mm

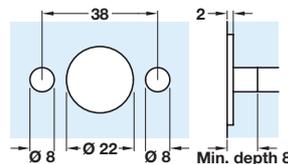
| | |
|-----------------------|------------|
| Finish | Cat. No. |
| Satin stainless steel | 902.21.222 |

Order qty: 1 set

For all StarTec Commercial lever handles:

Drill two holes $\varnothing 8$ mm at 38 mm centres, to a minimum depth of 8 mm, and one $\varnothing 22$ mm hole to a depth of 2 mm

DIN EN 1906 - PFB



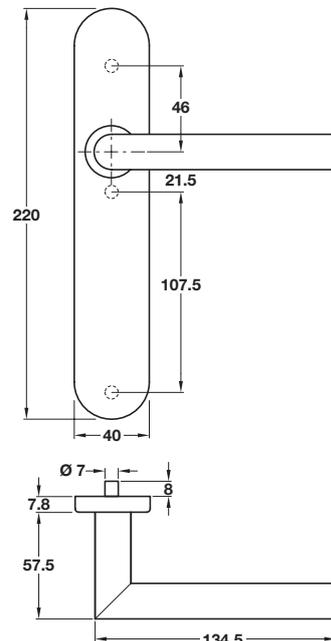
Satin stainless steel



StarTec
Commercial

B TESSA shaped lever handles, latch

- Pair of lever handles on latch backplates
- Grub screw fixing on 8 mm high-grade alloy steel spindle
- **Sprung**, for use with **standard duty** followers
- Bolt through fixings included
- To suit doors up to **38-47 mm** thick
- 304 stainless steel
- Spindle type, see page 64 for details
- For recommended locks, see **Section 2** pages 15-17



| | |
|-----------------------|------------|
| Finish | Cat. No. |
| Satin stainless steel | 902.90.226 |

Order qty: 1 set

04.11.08/1*