



Stainless Steel Grade 304:

Stainless steel to EN standard No. 1.4301
ASTM/AISI 304. 18% chromium 8% nickel

Spindle type

- Plain spindle
- Piercing spindle
- Slotted spindle
- Stabil spindle

Compatibility rating



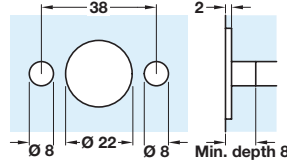
See page 64 for details

For full explanation see page 2

For all StarTec Commercial lever handles:

Drill two holes \varnothing 8 mm at 38 mm centres, to a minimum depth of 8 mm, and one \varnothing 22 mm hole to a depth of 2 mm

DIN EN 1906 - PfB



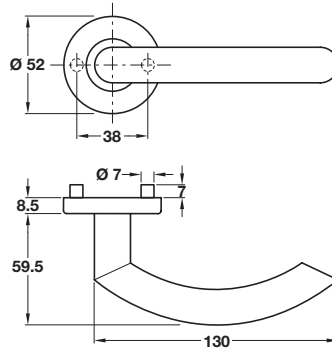
Satin stainless steel finish



StarTec
Commercial

A CHAMP shaped lever handles

- Pair of lever handles
- Grub screw fixing on 8 mm high-grade alloy steel spindle
- Pair of concealed fixing bolt through roses
- **Sprung**, for use with **standard duty** followers
- Bolt through fixings included
- To suit doors up to **36-45 mm** thick
- 304 stainless steel
- Matching escutcheons available, see page 194
- Spindle type, see page 64 for details
- For recommended locks, see **Section 2** pages 15-17



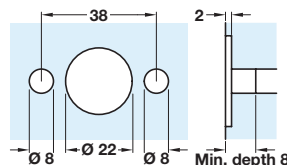
Finish	Cat. No.
Satin stainless steel	902.20.214

Order qty: 1 set

For all StarTec Commercial lever handles:

Drill two holes \varnothing 8 mm at 38 mm centres, to a minimum depth of 8 mm, and one \varnothing 22 mm hole to a depth of 2 mm

DIN EN 1906 - PfB



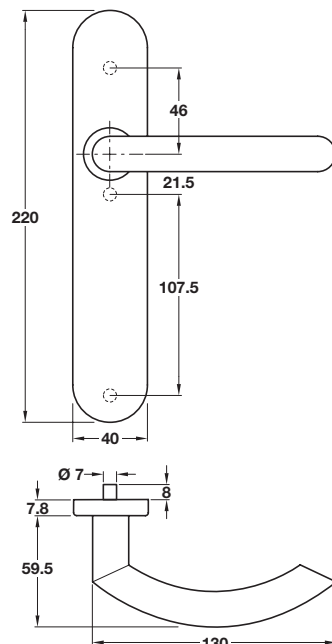
Satin stainless steel finish



StarTec
Commercial

B CHAMP shaped lever handles, latch

- Pair of lever handles on latch backplates
- Grub screw fixing on 8 mm high-grade alloy steel spindle
- **Sprung**, for use with **standard duty** followers
- Bolt through fixings included
- To suit doors up to **38-47 mm** thick
- 304 stainless steel
- Spindle type, see page 64 for details
- For recommended locks, see **Section 2** pages 15-17



Finish	Cat. No.
Satin stainless steel	902.90.312

Order qty: 1 set