



Stainless Steel Grade 304:

Stainless steel to EN standard No. 1.4301
ASTM/AISI 304. 18% chromium 8% nickel

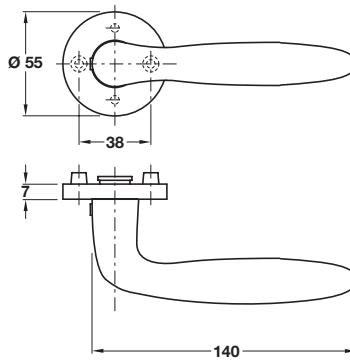
Spindle type	Compatibility rating
Plain spindle	★
Piercing spindle	★★
Slotted spindle	★★★
Stabil spindle	★★★★
See page 64 for details	★★★★★

For full explanation see page 2

All FSB lever handles on this page suit door thickness 42-46 mm. For other door thickness please consult our sales office, as they are to special order only, subject to quantity

A FSB 1176 lever handles

- Pair of lever handles
- Grub screw fixing on 8 mm spindle
- Pair of concealed fixing roses (order separately)
- **Unsprung**, for use with **heavy duty** followers
- Fixings not included. See item **C**
- To suit doors **42-46 mm** thick
- 304 stainless steel
- Matching escutcheons available, see page 192
- Fixed spindle, see page 64 for details of type
- For sprung roses, see page 37
- For recommended locks, see **Section 2** pages 4-14



Satin stainless steel finish



FSB



Item	Finish	Cat. No.
Lever handle	Satin stainless steel	902.20.310
Handle rose	Satin stainless steel	902.50.000

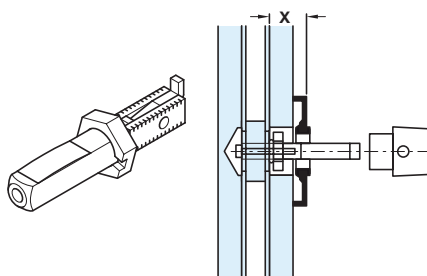
Order qty: 1 pair

B FSB 'Stabil' half spindle

- 8 mm square
- For exclusive use with **FSB female handle**, one side of door only, with blind hole
- Steel, with sprung steel anchor clamp

Size	Dim. X	Cat. No.
60 mm	22.5-31.5 mm	909.77.560
70 mm	32.5-41.5 mm	909.77.570

Order qty: 1 pc



FSB



C Bolt through fixing screw

- 50, 60 and 70 mm x Ø 4.2 mm
- To suit doors **42-46**, **52-56** and **62-66 mm** thick
- 2 required per rose
- Zinc plated steel

Length	Door thickness	Cat. No.
50 mm	42-46 mm	909.90.746
60 mm	52-56 mm	909.90.748
70 mm	62-66 mm	909.90.752

Order qty: 1 pc

