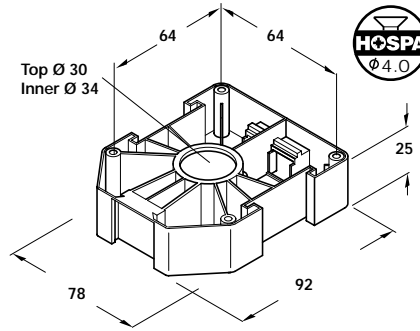


Dimensions in mm

- **A Top section, screw mounting**
- Screw fixing to underside of cabinet base
- Accepts foot and shaft sections shown below
- Black plastic

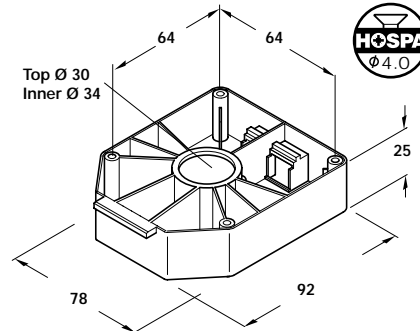


A Top section, screw mounting

Cat. No.	637.38.287
----------	------------

Packing: 1 pc

- **B Top section with lip, screw mounting**
- Screw fixing to underside of cabinet base
- Accepts foot and shaft sections shown below
- Black plastic

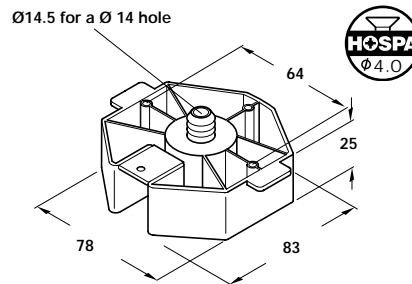


B Top section with lip, screw mounting

Cat. No.	637.38.270
----------	------------

Packing: 1 pc

- **C Top section, dowel and screw mounting**
- With Ø 14.5 mm dowel and four countersunk screw holes, for fixing to underside of cabinet base
- Accepts foot and shaft sections shown below
- Black plastic



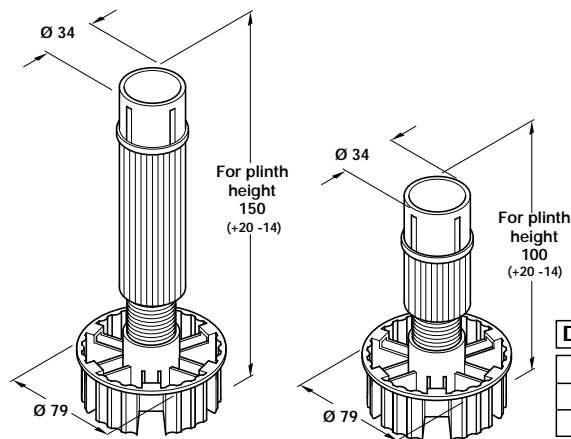
C Top section, dowel and screw mounting

Cat. No.	637.38.260
----------	------------

Packing: 1 pc

5

- **D Foot and shaft sections**
- For plinth heights 100 mm, 150 mm
- With 34 mm adjustment
- Black plastic



D Foot and shaft sections

For plinth height	Cat. No.
100 mm	637.38.710
150 mm	637.38.720

Packing: 1 pc