

Fittings for Pivot Sliding Cabinet Doors

Accuride 1319 with Accuride 1316

For wood 16-20 mm thick	Door height up to	Door weight up to	No. hinges required
Without synchronized control	700 mm	5.5 kg	2
With synchronized control	2300 mm	25 kg	2-5 depending on door width

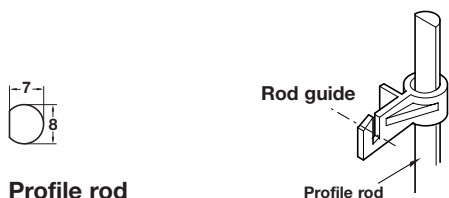
50,000

Accuride 1316 synchronised control system

- Used as supplement to pivot door fitting **Accuride 1319** to enhance its action when tall and heavy doors are used vertically - **Max. door height 2300 mm (not suitable for horizontal use over 1200 mm)**
- Comprises:
 - 2x rod guides, white plastic
 - 2x toothed rails, galvanized steel/white plastic
 - 2x pinions with screw mounts, white plastic
 - Mounting screws, M4 x 25 mm

Suitable for installed length A	Cat. No.
350 mm	408.05.356
400 mm	408.05.409
450 mm	408.05.454
500 mm	408.05.507
550 mm	408.05.552
600 mm	408.05.605

Order qty: 1 set (per door)



Profile rod

- Must be ordered separately**
- Standard lengths of 2 or 2.5 m
- Length of profiled rod: Internal cupboard height less 63 mm
- Polished nickel-plated drawn steel

Length	Max. door height	Cat. No.
2000 mm	1800 mm	226.67.205
2500 mm	2300 mm	226.67.250

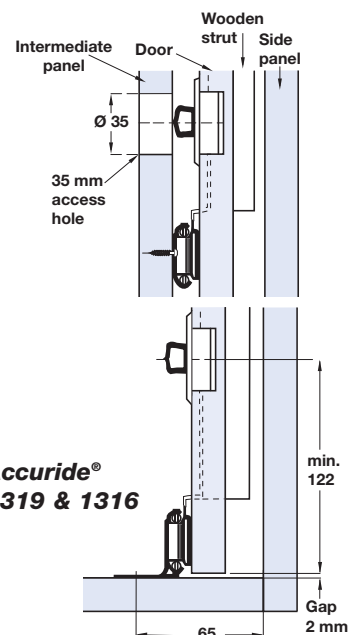
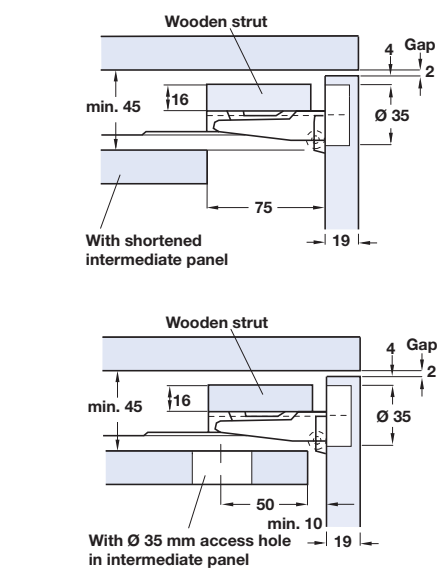
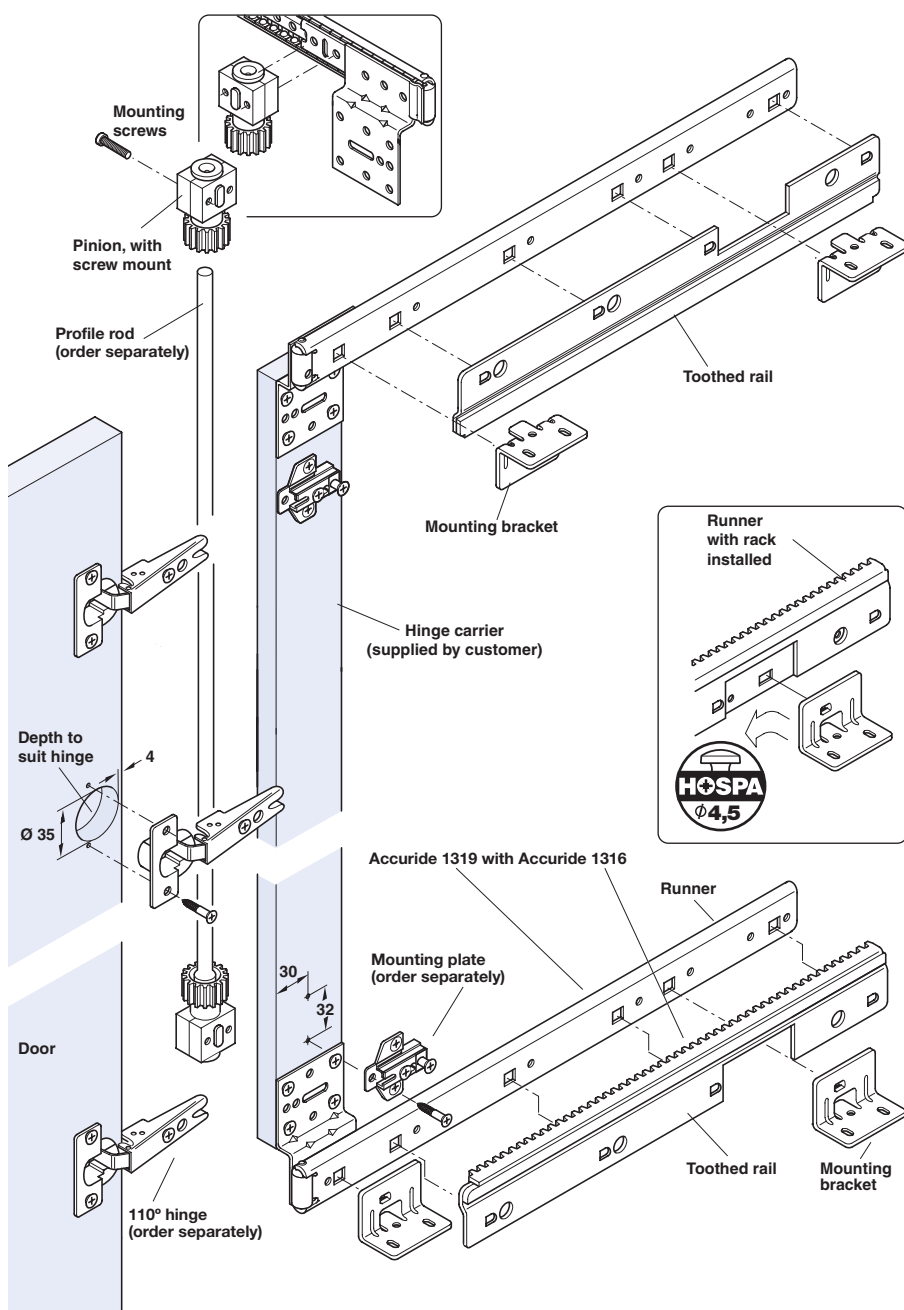
Order qty: 1 pc (per door)

Cover cap

- To cover access hole for hinge arm adjustment
- Plastic

Finish	Cat. No.
White	340.40.700
Brown	340.40.100

Order qty: Multiples of 100 pcs



TCH-FF 2010, HUK. Dimensional data not binding. We reserve the right to alter specifications without notice.