

Fittings for Pivot Sliding Cabinet Doors

Accuride 1319, Horizontal or Vertical Use



50,000

Accuride 1319 pivot sliding door fittings

- **Vertical or horizontal use**
- Quiet and easy movement
- Panel thickness from **16-20 mm**
- Maximum door weight **5.5 kg**
- Maximum door height **700 mm**
- For **taller/heavier** doors use synchronized control system **Accuride 1316** in conjunction with **Accuride 1319**. See table for max. door weight and heights on opposite page
- Comprises:
 - 4 x mounting brackets, zinc-plated steel
 - 2 x runners, zinc-plated steel, to accommodate cruciform mounting plates
- **Please note: Hinge carrier not supplied; should be made on site**

Installed length A	Bracket position B	Extension length C	Cat. No.
350 mm	186 mm	244 mm	408.07.350
400 mm	236 mm	294 mm	408.07.403
450 mm	286 mm	344 mm	408.07.458
500 mm	336 mm	394 mm	408.07.501
550 mm	386 mm	444 mm	408.07.556
600 mm	436 mm	494 mm	408.07.609

Order qty: 1 set (per door)



Concealed hinge, full overlay

- Opening angle **110°**
- Sprung
- Ø 35 mm screw fixing cup with click on arm
- Nickel-plated pressed steel cup and arm

Crank	Cat. No.
0 mm	322.17.530

Order qty: 1 pc (order 2 pcs per door)



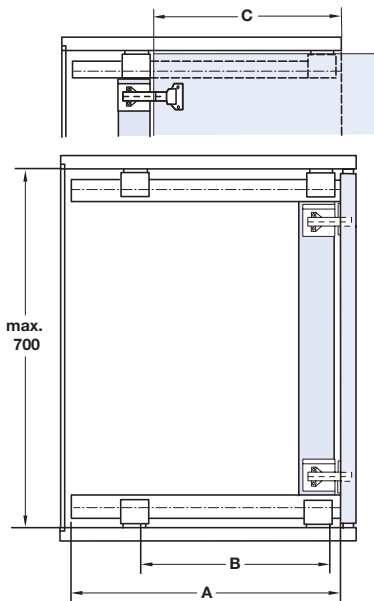
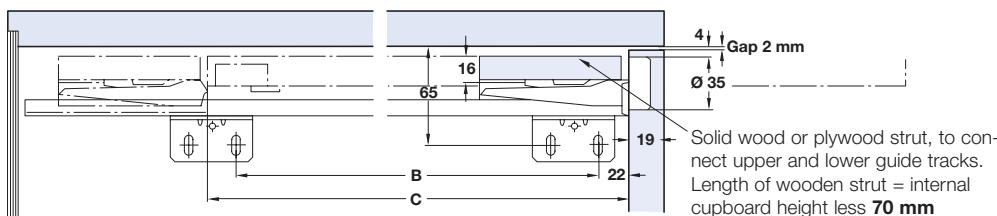
Super compact cruciform mounting plate

- Screw fixing, for click-on system hinges
- Two part plate with external height adjustment
- Nickel-plated zinc alloy and pressed steel

Crank	Cat. No.
0 mm	322.85.750

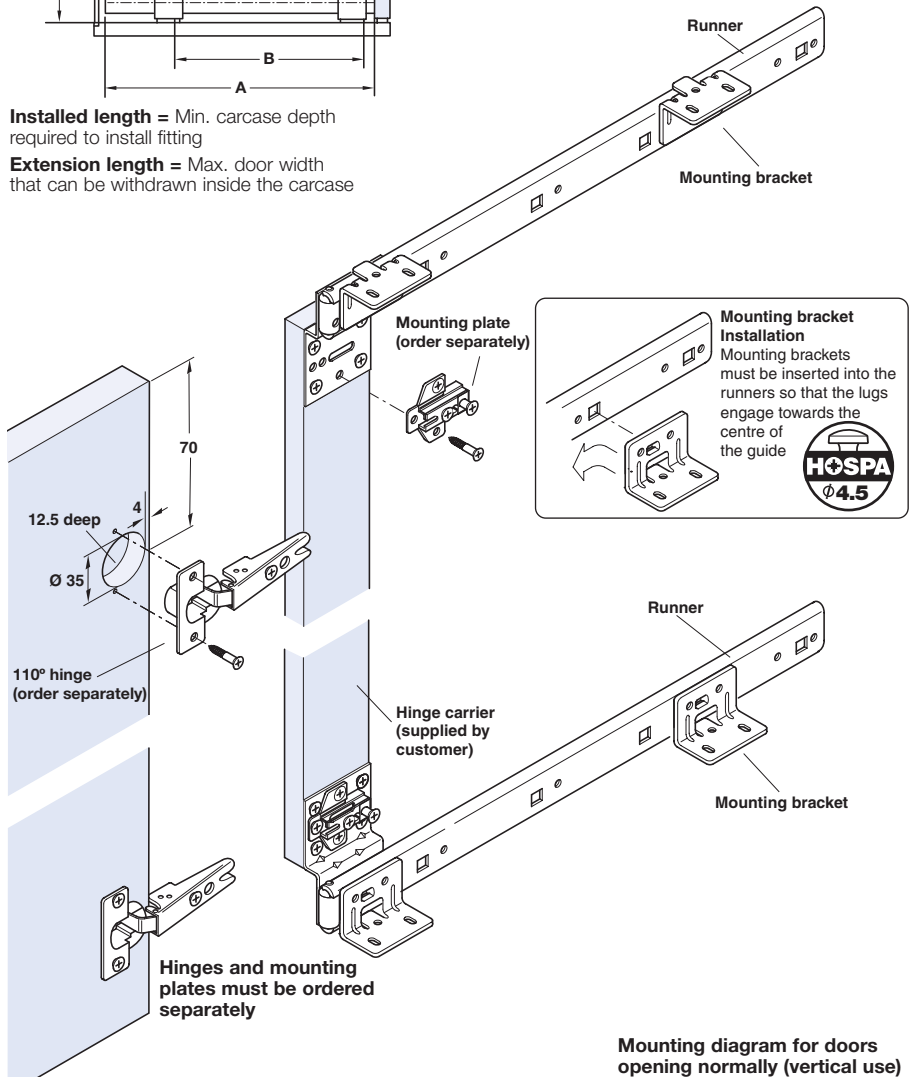
Order qty: 1 pc (order 2 pcs per door)

Mounting diagram for doors or flaps opening upwards (horizontal use)



Installed length = Min. carcase depth required to install fitting

Extension length = Max. door width that can be withdrawn inside the carcase



Accuride® 1319

