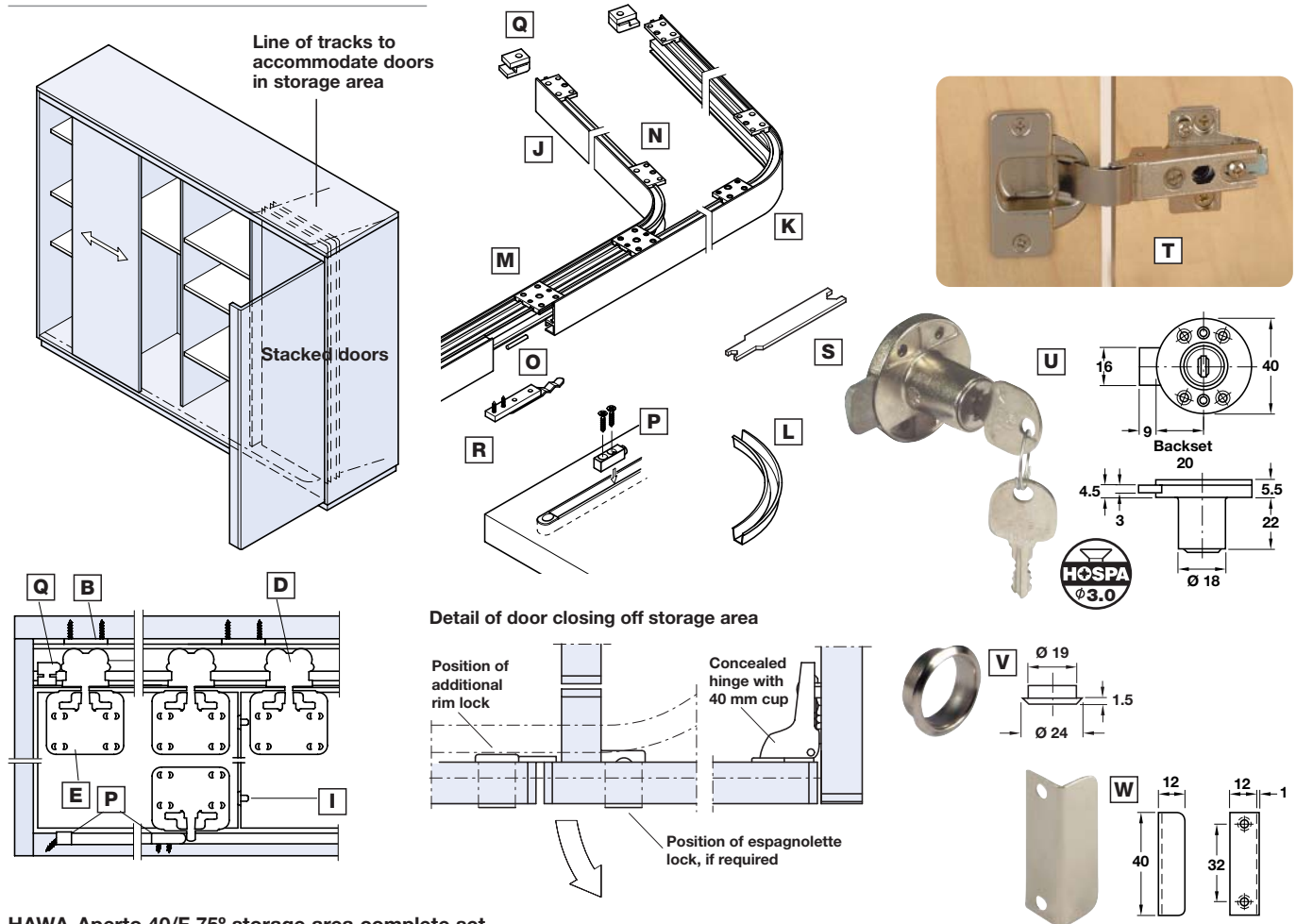


Fittings for Straight Sliding Timber Cabinet Doors

HAWA-Aperto 40/F Slide/Stack System

- HAWA-Aperto 40/F system can accommodate parallel stacking areas only. For perpendicular stacking areas refer to **HAWA-Aperto 60/H** system shown in **The Complete Häfele for Architectural Ironmongery, Section 11**
- For the parking area of sliding doors
- Remaining straight run track and lower guide profile supplied in standard module sets comprising items **A, B** and **C** shown left



HAWA-Aperto 40/F 75° storage area complete set

Item	Description	Base material and finish	For 1 door
J	Curved single, internal running track	Silver anodised aluminium	1 pc
K	Curved single, external running track	Silver anodised aluminium	1 pc
L	Curved bottom channel	Black plastic	1 pc
M	Double fixing plate	Silver anodised aluminium	1 pc
N	Single fixing plate	Silver anodised aluminium	8 pcs
O	Connecting pins	Silver anodised aluminium	6 pcs
P	Set of stops, for bottom channel	Black plastic	1 set
Q	Set of stops, for top tracks	Black plastic	1 set
R	Centre stop	Black plastic	1 set
S	Socket wrench	Steel	1 pc
Cat. No.			400.70.900

Order 1 set per storage area

Supplementary items

Item	Description	Base material and finish	Cat. No.
T	Concealed hinge, slide on arm Ø 40 mm cup, 15 mm crank. To hang access door to storage area		323.13.625
T	Mounting plate 4 mm height. Use adequate no. of hinges to support heavier doors		323.80.742
U	Minilock 40 rim lock, left hand random key changes, with Ø 18 mm cylinder, screw fixing	Matt nickel-plated zinc alloy	230.12.704
U	Minilock 40 rim lock, right hand random key changes, with Ø 18 mm cylinder, screw fixing	Matt nickel-plated zinc alloy	230.12.606
V	Cylinder rosette for use with Ø 18 mm cylinders (multiples of 100 pcs)	Matt nickel-plated brass	219.19.676
W	Striking plate for inset doors	Nickel-plated steel	239.41.013