

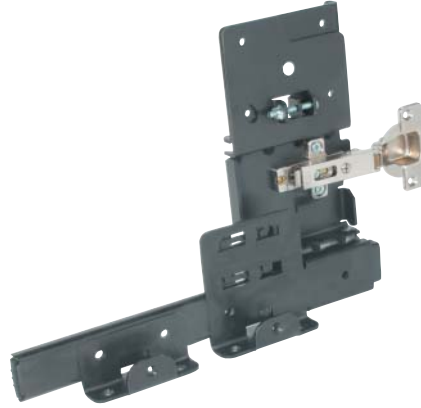
Fittings for Pivot Sliding Cabinet Doors

Accuride 1321, Vertical Use

20,000

Accuride 1321 pivot sliding door runners

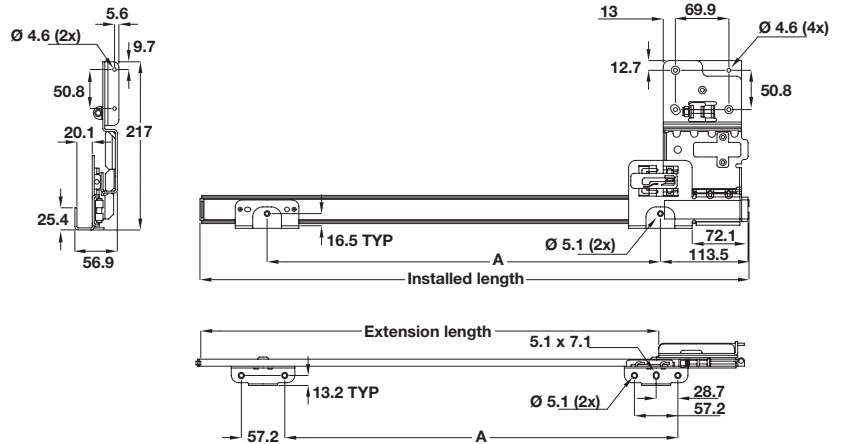
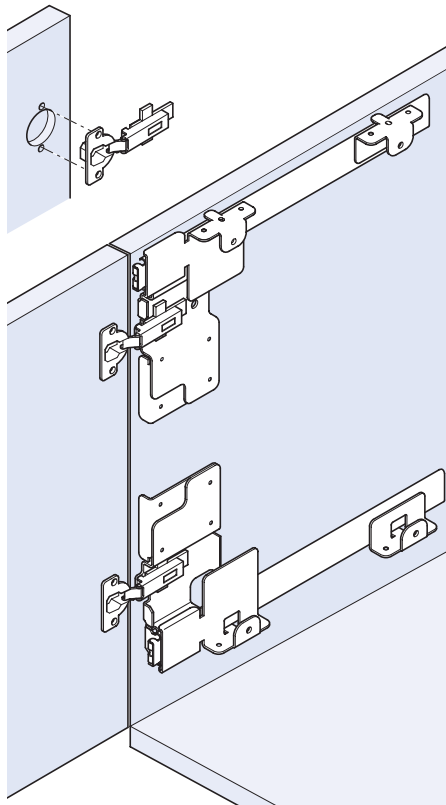
- For vertical use
- For concealed doors, wall units and cabinets
- For panel thickness **19-38 mm**
- Full overlay on 19.1 mm panel thickness
- Maximum door weight **14 kg**
- Maximum door panel width **610 mm**
- Maximum door panel height **1067 mm**
- Auto open mechanism pushes the door open the last 32 mm of travel
- Anti-sag adjustment
- Hinges (40 mm) included
- Black zinc-plated steel



Installed length	Extension length	Dim. A	Cat. No.
405 mm	290 mm	203.2 mm	408.34.341
456 mm	340 mm	254 mm	408.34.346
506 mm	391 mm	304.8 mm	408.34.351
557 mm	442 mm	355.6 mm	408.34.356
608 mm	493 mm	406.2 mm	408.34.361
659 mm	544 mm	457.2 mm	408.34.366
710 mm	594 mm	508 mm	408.34.371

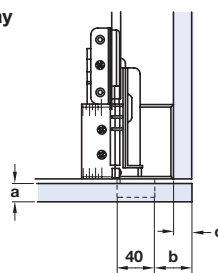
Order qty: 1 pair (per door)

Sliding Door Fittings

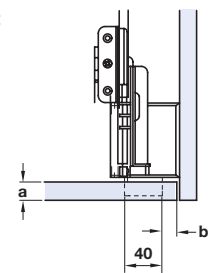


Installed length = Minimum carcass depth required to install fitting
Extension length = Maximum door width that can be withdrawn inside the carcass

Overlay



Inset



a = door thickness
 c = overlay

Overlay application

a	b	c
19.1 mm	12.7 mm	19.1 mm
22.2 mm	12.7 mm	15.9 mm
25.4 mm	12.7 mm	12.7 mm
31.8 mm	12.7 mm	6.4 mm

Inset application

a	b
19.1 mm	9.5 mm
22.2 mm	9.5 mm
25.4 mm	9.5 mm
38.1 mm	9.5 mm

TCH-FF 2010, HUK. Dimensional data not binding. We reserve the right to alter specifications without notice.