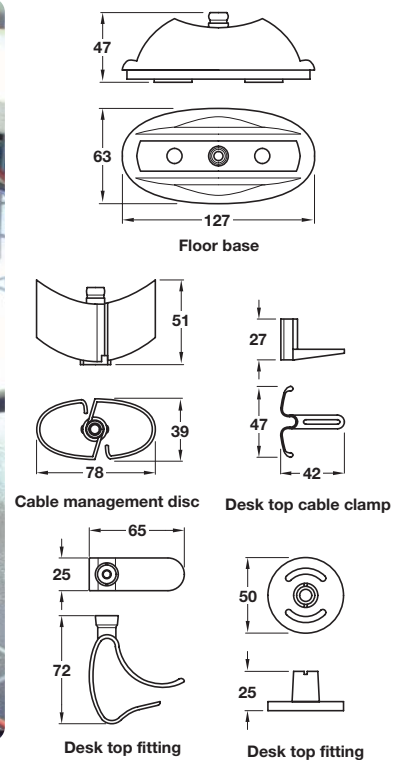


A Vertical cable management

- This vertical cable management system is both attractively designed and protects the cables on their way from floor to desktop
- The length/height of the riser is easily adjusted by adding or removing individual clip elements as required
- The standard kit for up to 815 mm desktop height comes complete with weighted base section and table fixing element
- Fixing screws are also supplied for both desktop fixing and the integral strain relief
- Plastic with metal weighted base

| Finish | Cat. No. |
|---------------|------------|
| Black | 631.01.300 |
| Silver | 631.01.900 |
| Graphite grey | 631.01.500 |

Order qty: 1 pc

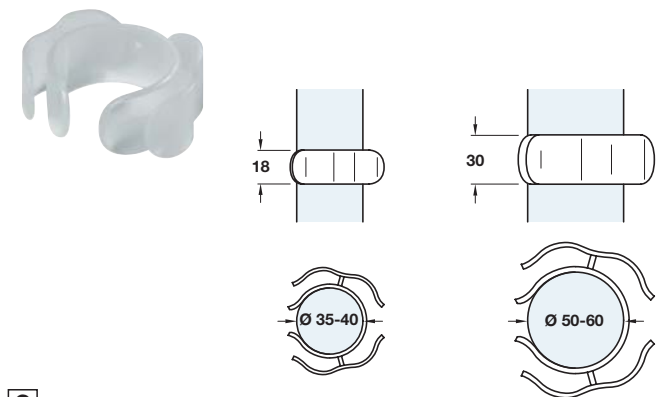


B Vertical cable riser

- This vertical cable management system is both attractively designed and protects the cables on their way from floor to desktop
- The length/height of the riser is easily adjusted by adding or removing individual clip elements as required
- The standard kit for up to 815 mm desktop height comes complete with weighted base section, desk top cable clamp and choice of table fixing elements
- Plastic with metal weighted base

| Finish | Cat. No. |
|-------------------|------------|
| Aluminium-silver | 631.16.900 |
| Metallic graphite | 631.16.300 |

Order qty: 1 set



C Cable trunking leg clip

- For round legs
- Two sizes available, for Ø 35-40 mm and Ø 50-60 mm legs
- Transparent plastic

| For table legs | Ø 35-40 | Ø 50-60 |
|----------------|------------|------------|
| Cat. No. | 631.33.401 | 631.33.402 |

Order qty: 1 pc