

A Cable outlet, Ø 60 mm

- Two part cable outlet, sleeve and cover plate
- The cover plate has a spring loaded section which can be swivelled away to allow cables through
- The cover plate can be removed completely to allow cables with plugs attached through
- Plastic

Finish	Cat. No.
White	429.99.726
Light grey	429.99.628
Green beige	429.99.226
Beige, RAL 1014	429.99.423
Sepia brown	429.99.128
Black	429.99.324

Order qty: 1 pc

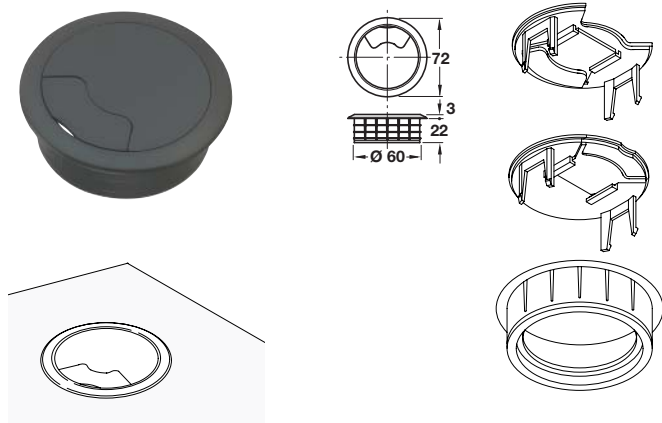


C Cable outlet, Ø 60 mm

- Two part cable outlet, sleeve and cover plate
- Press fit
- Cable cut out size: 10 x 17 mm
- Stainless steel

Finish	Cat. No.
Fine ground finish	631.04.000

Order qty: 1 pc

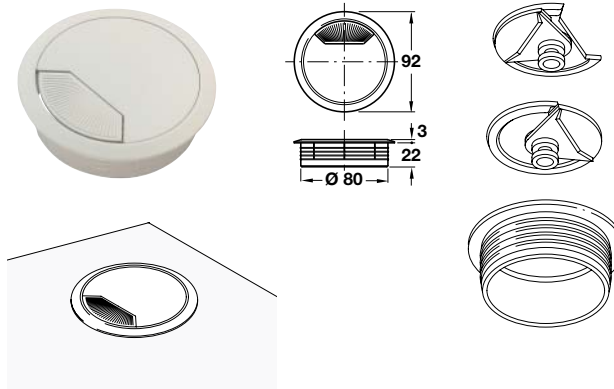


C Cable outlet, Ø 60 mm

- Three part plastic cable outlet, sleeve and cover plate with removable section
- A section of the cover plate is removed and stored under the cover plate to allow cable through
- Plastic

Finish	Cat. No.
Off-white	429.89.711
Ivory	429.89.462
Beige	429.89.417
Grey	429.89.515
Chrome	429.89.211
Sepia brown	429.89.113
Lava brown	429.89.015
Black	429.89.319

Order qty: 1 pc



D Cable outlet, Ø 80 mm

- Two part cable outlet, sleeve and cover plate
- The cover plate has a spring loaded section which can be swivelled away to allow cables through
- The cover plate can be removed completely to allow cables with plugs attached through
- Plastic

Finish	Cat. No.
Off-white	429.99.744
Light grey	429.99.548
Beige	429.99.440
Sepia brown	429.99.146
Black	429.99.342
Graphite grey, RAL 7024	429.99.542
Concrete grey, RAL 7023	429.99.543
Traffic grey, RAL 7043	429.99.511

Order qty: 1 pc

TCH-FF 2010, HUK. Dimensional data not binding. We reserve the right to alter specifications without notice.