

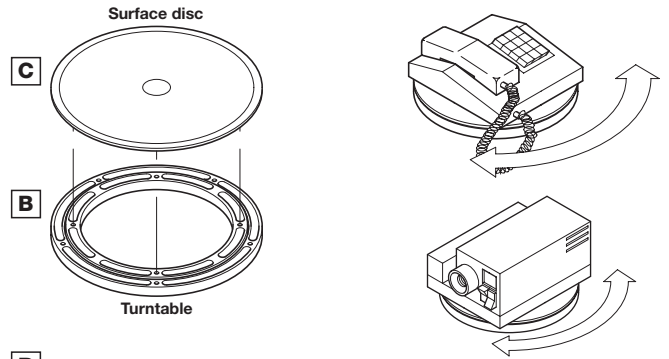
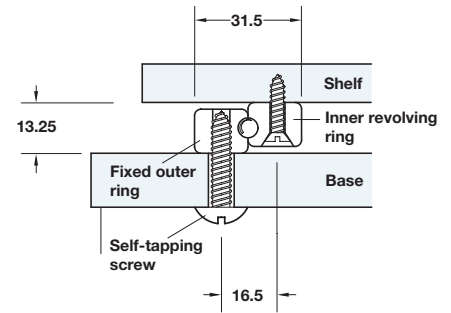
A Accuride 2109, keyboard shelf runner, single extension

- For computer keyboard, printer shelf and pencil drawer applications
- **35 kg** carrying capacity
- Height adjustable brackets included
- Front disconnect
- Hold-in and hold-out
- Optional clip-on bracket for bottom mounting (see table below for ordering information)
- Bright zinc-plated steel

Installed length 1	Extension length 2	Cat. No.	
		Bright	Black
350 mm	260 mm	422.14.935	-
400 mm	281 mm	422.14.940	422.14.340
450 mm	331 mm	422.14.945	-
500 mm	376 mm	422.14.950	-

Order qty: 1 set

Ordering information		
Installed length	Runner Cat. No.	Mounting bracket Cat. No.
400 mm	422.14.940	422.42.940
450 mm	422.14.945	422.42.945
500 mm	422.14.950	422.42.950

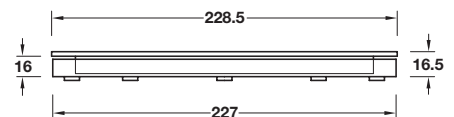


B Turntable, rotates 360°

- Screw fixed or free standing
- Static carrying capacity **150 kg**
- Ball bearing mounted
- Turntable consists of 2 concentric rings
- Surface disc also available, item C
- Supplied with non-slip feet for free standing
- Solid black plastic

	Cat. No.
Turntable	646.19.350

Order qty: 1 pc



C Surface disc

- Solid black plastic

	Cat. No.
Surface disc	646.19.360

Order qty: 1 pc

TCH-FF 2010, HUK. Dimensional data not binding. We reserve the right to alter specifications without notice.