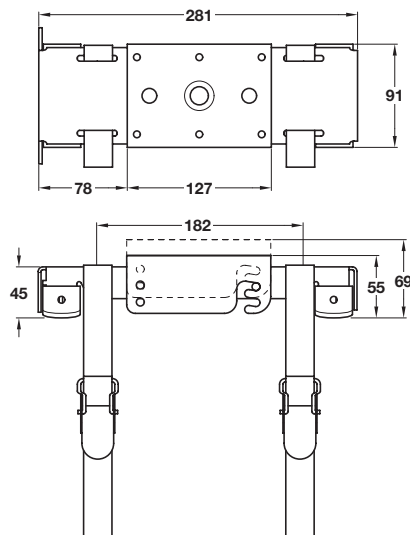


- The CPU is held off the floor, well away from feet, dust and static and yet is easy to reach
- Straps hold most shapes and sizes of CPU up to 34 kg weight and 1630 mm perimeter
- No need to dismantle the CPU holder or release the strap tension to remove the CPU. Ideal for installation when the CPU arrives after the CPU holder has been installed

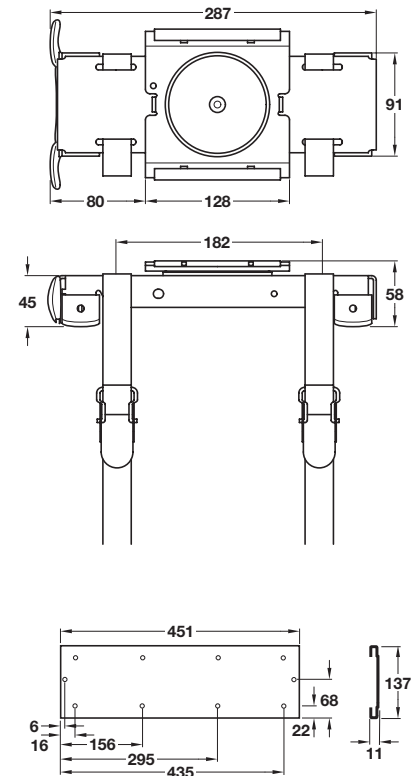


A CPU holder, fixed

- The CPU holder fixes directly to the underside of the desk using a bracket. Can be installed and dismantled easily and quickly using a locating pin release mechanism
- Ideal for height adjusting desk systems-the CPU moves with the desk top and cable stretching is avoided
- Soft gripper feet hold the CPU firmly without risk of damage
- Over centre buckle gives easy and secure tightening of straps
- Steel body with nylon straps

Finish	Cat. No.
Silver	639.74.920
Black	639.74.320

Order qty: 1 pc



B CPU holder, swivelling

- The CPU holder is mounted under the desk on a glide track and can be swivelled through 360° at any position along the track, making it easy to gain access to service cables and ports
- Track length 451 mm (455 mm installed length)
- Ideal for height adjusting desk systems-the CPU moves with the desk top and cable stretching is avoided
- Soft gripper feet hold the CPU firmly without risk of damage
- Over centre buckle gives easy and secure tightening of straps
- Steel body with nylon straps

Finish	Cat. No.
Silver	639.74.900

Order qty: 1 pc

TCH-FF 2010, HUK. Dimensional data not binding. We reserve the right to alter specifications without notice.